

WIRE AND PIPE CLIPS - TOP OPENING



Technical description

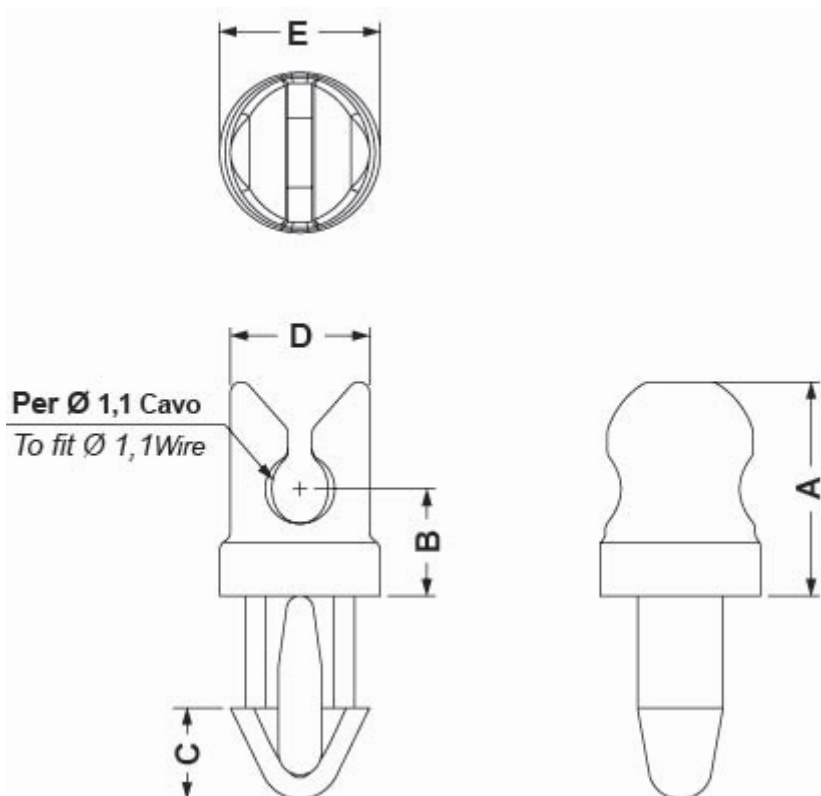
Material: PA 6.6

Colour: Natural

Flammability: V2 (UL94)

Working temperature: -35°C ~ +85°C

All dimensions are in mm



Code	A	B	C	D	E	Mounting hole	Thickness	MOQ-Pcs
12475AA00	4,0	2,0	1,7	2,6	Ø 3,0	Ø 2,0	1,6 - 2,0	2.000
12476AA00	4,0	2,0	1,7	2,6	Ø 3,0	Ø 2,0	1,0 - 1,2	2.000
12477AA00	4,0	2,0	1,7	2,6	Ø 3,0	Ø 2,0	0,8	2.000