

WIRE AND PIPE CLIPS - TOP OPENING



Technical description

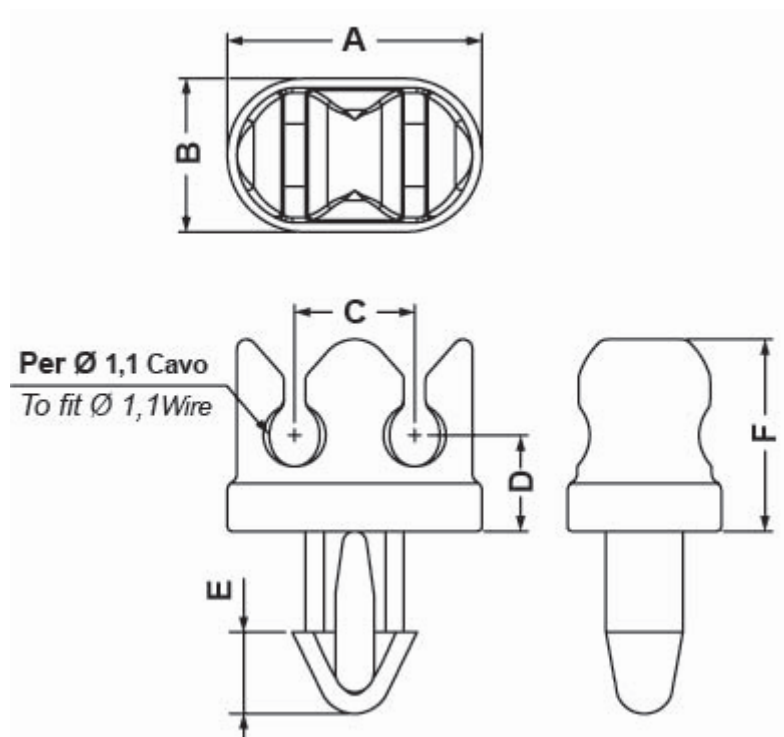
Material: PA 6.6

Colour: Natural

Flammability: V2 (UL94)

Working temperature: -35°C ~ +85°C

All dimensions are in mm



Code	A	B	C	D	E	F	Mounting hole	Thickness	MOQ-Pcs
12473AA00	5,3	3,2	2,5	2,0	1,7	4,0	Ø 2,0	1,6 - 2,0	1.000
12474AA00	5,3	3,2	2,5	2,0	1,7	4,0	Ø 2,0	0,8	1.000