

WASHERS FOR UNDERHEAD SCREWS



Technical description

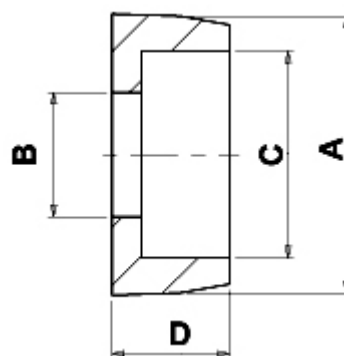
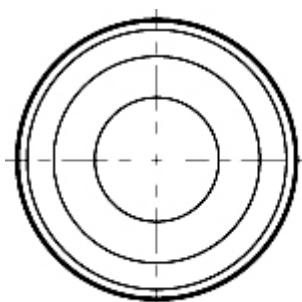
Material: PA 6.6

Colour: Black

UL Flammability: V2 (UL 94)

Operating temperature: -35°C ~ +85°C

All dimensions are in mm.



Code	A	B	C	D	Size	MOQ-Pcs
2882AA01	7,8	3,2	5,6	3,0	M3	1.000
2883AA01	9,8	4,2	7,2	3,0	M4	1.000
2884AA01	11,8	5,3	8,8	5,0	M5	1.000
2885AA01	13,9	6,3	10,5	6,0	M6	1.000
2886AA01	17,9	8,4	13,5	8,0	M8	1.000
2887AA01	21,9	10,5	16,5	10,0	M10	1.000