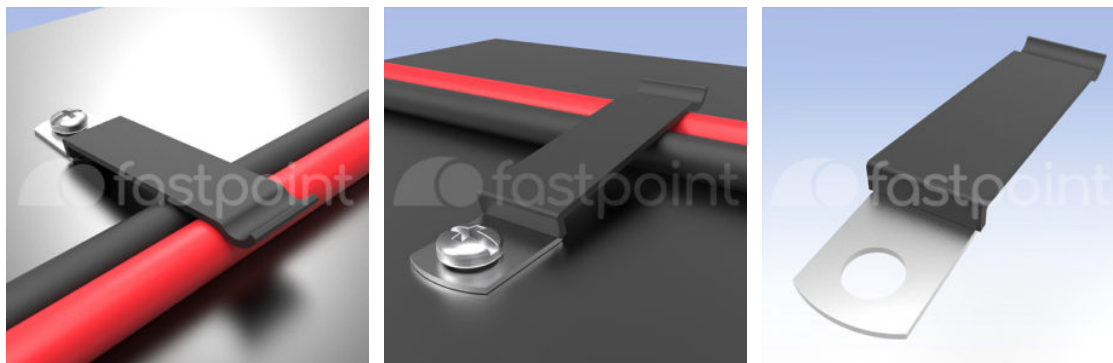


## VINYL COATED STEEL CLAMPS

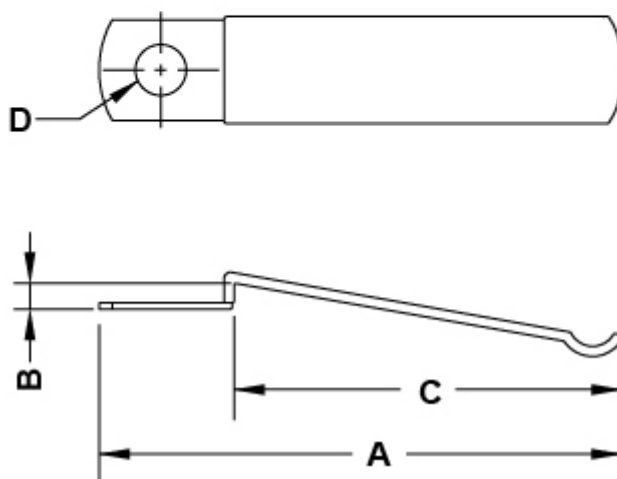


### Technical description

Body material: Stainless steel

Coating: PVC

All dimensions are in mm



Code	A	B	C	D	MOQ-Pcs
15858MD90PS	40,9	2,3	30,2	4,0	1.000
15859MD90PS	66,8	2,3	56,9	4,0	1.000