

## TOOTHED CLIPS HOLE Ø 6,3



### Technical description

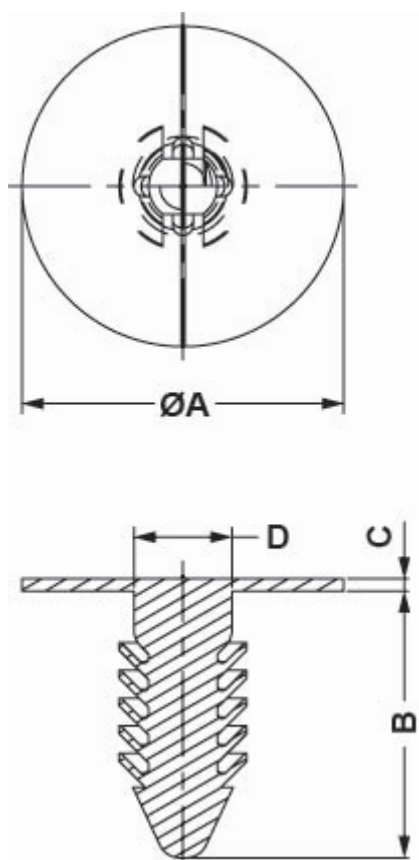
**Material:** PA 6.6

**Colour:** Black

**Flammability:** HB (UL94)

**Working temperature:** -35°C ~ +85°C

All dimensions are in mm



Code	A	B	C	D	Thickness	Mounting hole	MOQ-Pcs
12936AA01	$\varnothing 19,0$	15,9	0,7	5,8	2,7 - 7,3	$\varnothing 6,3$	1.000