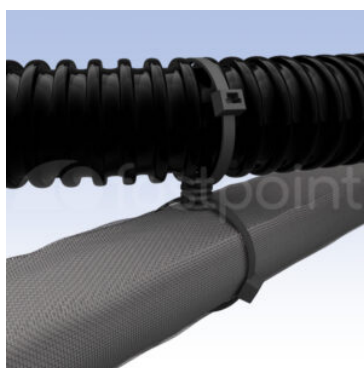


SUPPORTS FOR CABLE TIES IN PARALLEL



Technical description

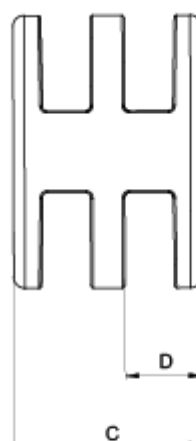
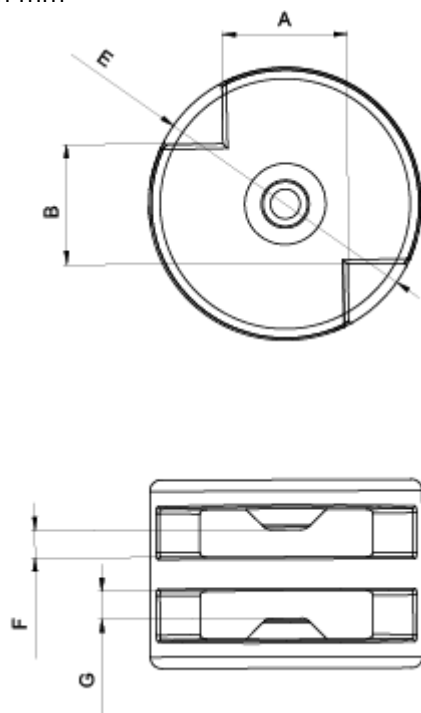
Body material: PA 6.6

Colour: black

Working Temperature: -35°C ~ +85°C

Flammability: V2 (UL 94)

All dimensions are in mm



Code	A	B	C	D	E	F	G	MOQ-Pcs
18651AA01	5,4	5,4	8,3	3,4+0,1	10,0	1,2+0,1	1,2+0,1	1.000