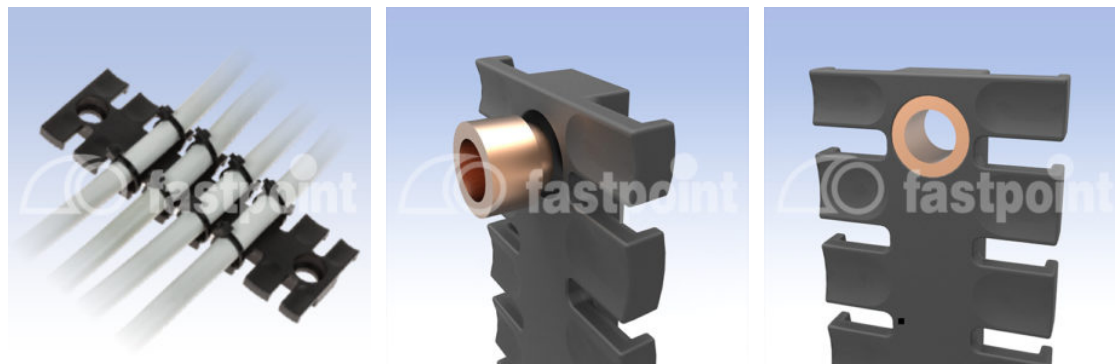


STRAIN RELIEF MODULES FOR SCREW FIXING WITH BRASS BUSHINGS



Technical description

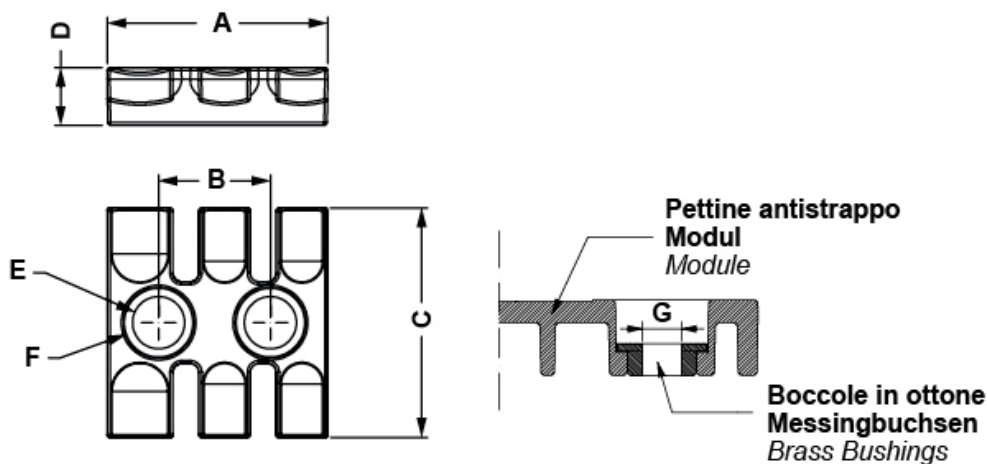
Material: PA 6.6

Colour: Black

Flammability: V0 (UL94)

Working temperature: -40°C ~ +140°C

All dimensions are in mm



Code	A	B	C	D	E	F	G	MOQ-Pcs
16355AA01	38,5	19,5	40,0	10,0	Ø9,1	Ø12,0	M4	10
16356AA01	59,5	43,5	40,0	10,0	Ø9,1	Ø12,0	M4	10
16357AA01	69,1	43,5	40,0	10,0	Ø9,1	Ø12,0	M4	10
16358AA01	86,5	68,0	40,0	10,0	Ø9,1	Ø12,0	M4	10
16359AA01	102,5	84,0	40,0	10,0	Ø9,1	Ø12,0	M4	10
16360AA01	121,0	102,5	40,0	10,0	Ø9,1	Ø12,0	M4	10

Code	A	B	C	D	E	F	G	MOQ-Pcs
16361AA01	139,5	121,0	40,0	10,0	Ø9,1	Ø12,0	M4	10
16362AA01	180,0	157,0	40,0	10,0	Ø9,1	Ø12,0	M4	10
16363AA01	38,5	19,5	40,0	10,0	Ø9,1	Ø12,0	M5	10
16364AA01	59,5	43,5	40,0	10,0	Ø9,1	Ø12,0	M5	10
16365AA01	69,1	43,5	40,0	10,0	Ø9,1	Ø12,0	M5	10
16366AA01	86,5	68,0	40,0	10,0	Ø9,1	Ø12,0	M5	10
16367AA01	102,5	84,0	40,0	10,0	Ø9,1	Ø12,0	M5	10
16368AA01	121,0	102,5	40,0	10,0	Ø9,1	Ø12,0	M5	10
16369AA01	139,5	121,0	40,0	10,0	Ø9,1	Ø12,0	M5	10
16370AA01	180,0	157,0	40,0	10,0	Ø9,1	Ø12,0	M5	10
16371AA01	38,5	19,5	40,0	10,0	Ø9,1	Ø12,0	M6	10
16372AA01	59,5	43,5	40,0	10,0	Ø9,1	Ø12,0	M6	10
16373AA01	69,1	43,5	40,0	10,0	Ø9,1	Ø12,0	M6	10
16374AA01	86,5	68,0	40,0	10,0	Ø9,1	Ø12,0	M6	10
16375AA01	102,5	84,0	40,0	10,0	Ø9,1	Ø12,0	M6	10
16376AA01	121,0	102,5	40,0	10,0	Ø9,1	Ø12,0	M6	10
16377AA01	139,5	121,0	40,0	10,0	Ø9,1	Ø12,0	M6	10
16378AA01	180,0	157,0	40,0	10,0	Ø9,1	Ø12,0	M6	10