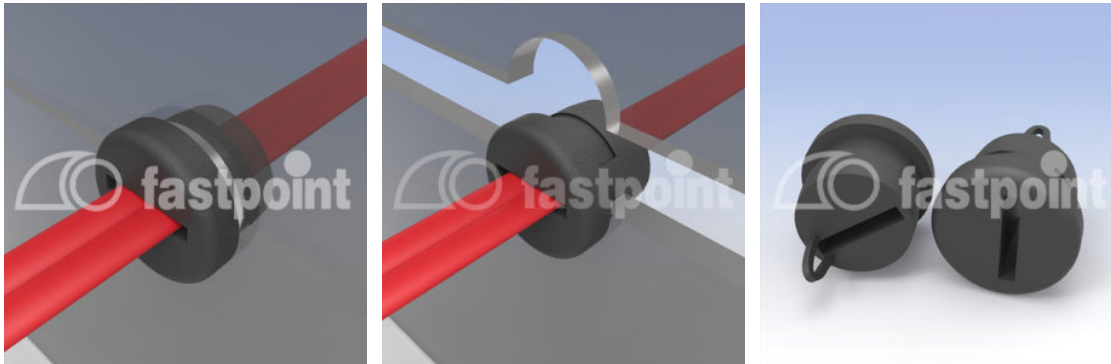
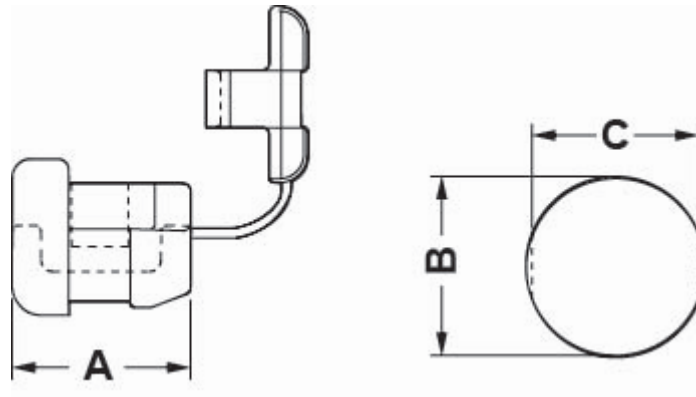


STRAIN RELIEF BUSHINGS



Technical description

Material: PA 6.6 **Colour:** Black **Flammability:** V2 (UL94) **Working temperature:** -35°C ~ +85°C All dimensions are in mm



Code	A	B	C	Mounting hole	Thickness	Max cable	MOQ-Pcs
12852AA01	20,6	22,2	21,2	22,2	3,2	8,1 x 16,5	1.000