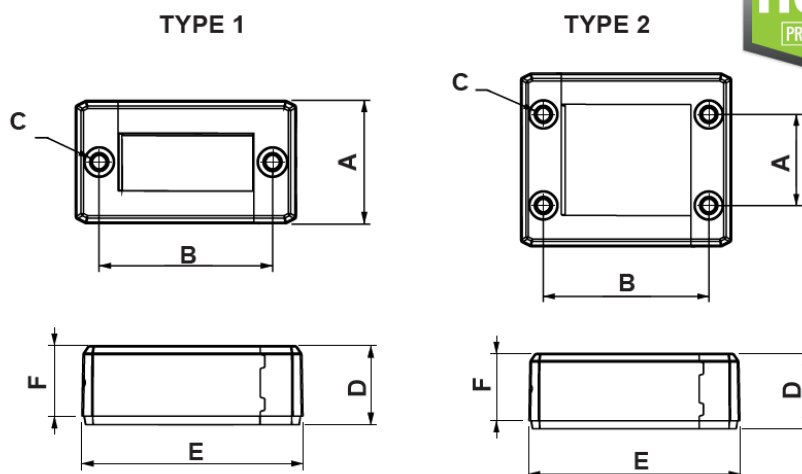


# DIVISIBLE FRAMES WITH AND WITHOUT ATEX CONNECTORS



## Technical description

Material: PP+GF Color: See table Self-extinguishing: V0 (UL94) Operating temperature: -40°C ~ +155°C (static) All dimensions are in mm



Code	Type	A	B	C	D	E	F	Mounting hole	MOQ-Pcs
18987FG01	1	41,4	58,0	6,3 (x2)	26,5	74,0	23,7	40,0 x 18,0	1
18988FG01	1	41,4	83,0	6,3 (x2)	26,5	99,0	23,7	63,0 x 18,0	1

Code	Type	A	B	C	D	E	F	Mounting hole	MOQ-Pcs
18989FG01	1	41,4	103,0	6,3 (x2)	26,5	120,0	23,7	86,0 x 18,0	1
18990FG01	1	41,4	130,0	6,3 (x2)	26,5	146,0	23,7	112,0 x 18,0	1
18991FG01	2	32,0	130,0	6,3 (4x)	26,5	74,0	23,7	40,0 x 39,0	1
18992FG01	2	32,0	83,0	6,3 (4x)	26,5	99,0	23,7	63,0 x 39,0	1
18993FG01	2	32,0	103,0	6,3 (4x)	26,5	120,0	23,7	86,0 x 39,0	1
18994FG01	2	32,0	130,0	6,3 (4x)	26,5	146,0	23,7	112,0 X 39,0	1