

# SPLITTABLE FRAME FOR CABLES WITH AND WITHOUT CONNECTORS



## Technical description

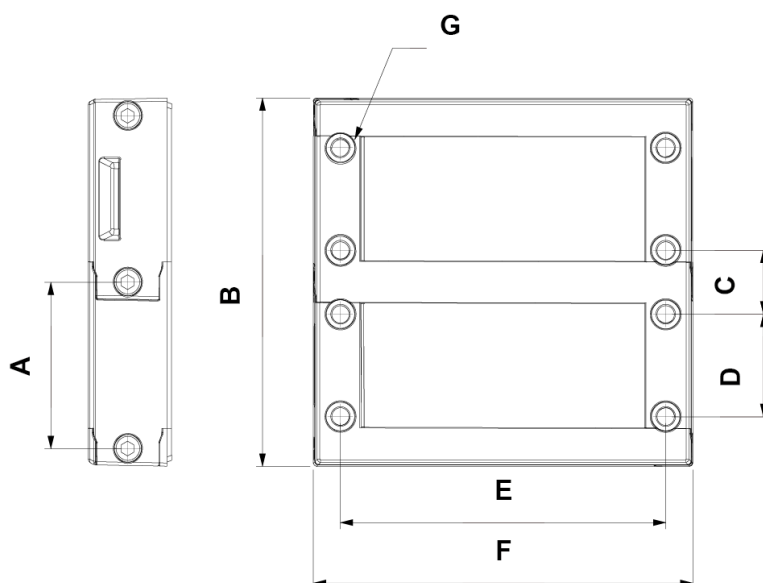
**Material:** PP+GF

**Color:** Black

**Self-extinguishing:** V0 (UL94)

**Operating temperature:** -40°C ~ +155°C

**All dimensions are in mm**



Code	A	B	C	D	E	F	G	Apertura	MOQ-Pcs
------	---	---	---	---	---	---	---	----------	---------

Code	A	B	C	D	E	F	G	Apertura	MOQ-Pcs
18943FG01	52,0	115,0	20,0	32,0	103,0	120,0	Ø 5,5 (8x)	82,0 x 92,0	1
18944FG01	52,0	167,0	20,0	32,0	103,0	120,0	Ø 5,5 (12x)	82,0 x 144,0	1
18945FG01	52,0	219,0	20,0	32,0	103,0	120,0	Ø 5,5 (16x)	86,0 x 196,0	1