

# SPLITTABLE FRAME FOR CABLES WITH AND WITHOUT CONNECTORS



## Technical description

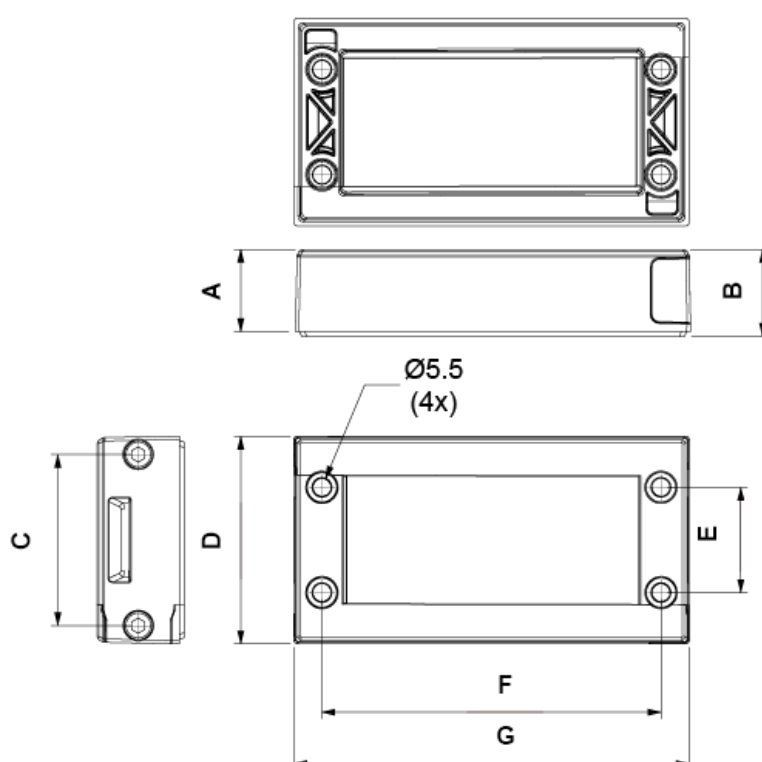
**Material:** PP+GF

**Color:** Black

**Self-extinguishing:** V0 (UL94)

**Operating temperature:** -40°C ~ +155°C

**All dimensions are in mm**



Code	A	B	C	D	E	F	G	Apertura	MOQ-Pcs
18936FG01	25,0	26,4	52,0	63,0	32,0	103,0	120,0	86,0 x 40,0	10