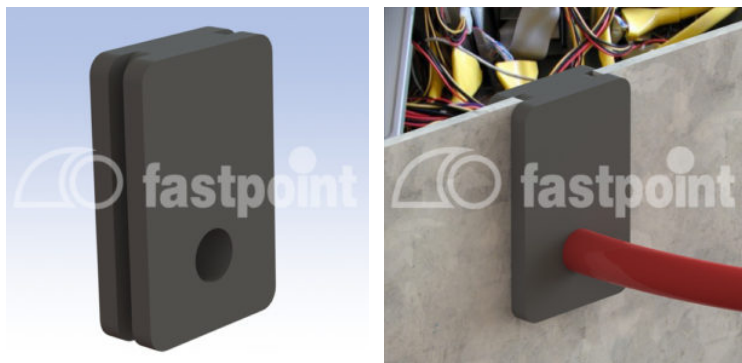


SPECIAL GROMMETS



Technical description

Material: PVC

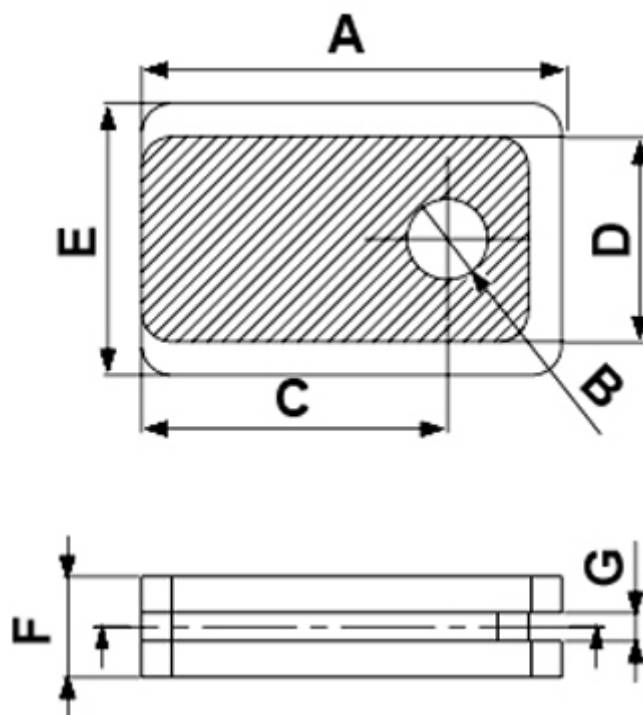
Colour: Black

Operating temperature:

- **PVC:** -25°C ~ +60°

- **TPE:** -28°C ~ +90°C available by special request

All dimensions are in mm.



Code	A	B	C	D	E	F	G	MOQ-Pcs
4380CA01	25,0	5,0	17,5	12,0	16,0	6,0	2,0	1.000
5330CA01	25,0	6,0	17,5	12,0	16,0	6,0	2,0	1.000