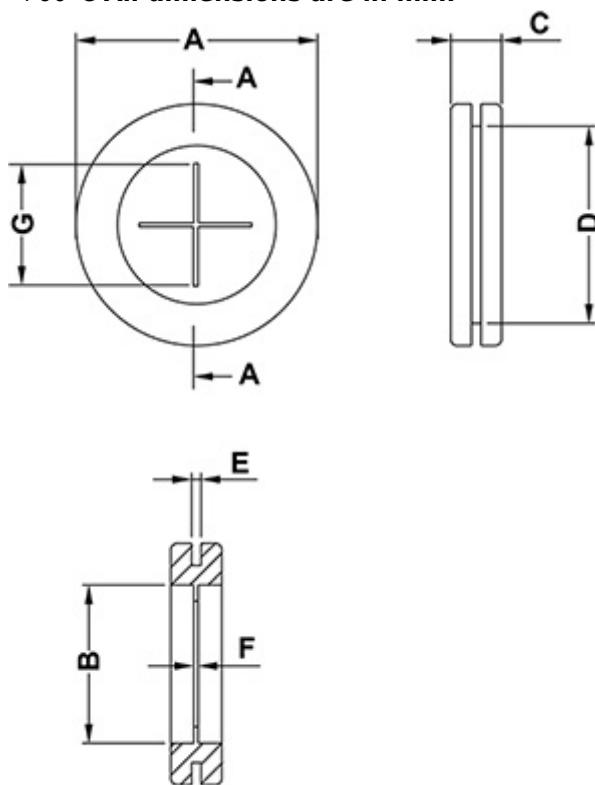


SOFT GROMMETS WITH MEMBRANE



Technical description

Material: - TPE Shore A 45 - PVC Shore 50 **Colour:** Black **Flammability:** HB (UL94) **Working temperature:** - TPE -28°C ~ +90°C - PVC -25°C ~ +60°C **All dimensions are in mm.**



SECTION A-A

| Code | A | B | C | D | E | F | G | Material | MOQ-Pcs |
|------------|------|------|-----|------|-----|-----|------|----------------|---------|
| 5853PF01MS | 20,0 | 9,0 | 7,0 | 15,5 | 2,0 | 1,0 | 6,0 | TPE Shore A 45 | 1.000 |
| 5854PF01MS | 23,0 | 11,0 | 7,0 | 18,5 | 2,0 | 1,0 | 10,0 | TPE Shore A 45 | 1.000 |
| 14878PD01M | 25,4 | 16,0 | 7,1 | 19,1 | 2,0 | - | - | Rubber (NR) | 1.000 |
| 5855PF01MS | 25,0 | 13,5 | 7,0 | 20,5 | 2,0 | 1,0 | 10,0 | TPE Shore A 45 | 1.000 |
| 5856PF01MS | 27,5 | 16,0 | 7,0 | 22,5 | 2,0 | 1,0 | 10,0 | TPE Shore A 45 | 1.000 |

| Code | A | B | C | D | E | F | G | Material | MOQ-Pcs |
|-------------|------|------|------|------|-----|-----|------|----------------|---------|
| 13170CA01MS | 33,8 | 21,0 | 7,4 | 26,0 | 2,0 | 1,0 | 21,0 | PVC Shore 50 | 1.000 |
| 14977CA01M | 35,0 | 22,0 | 8,0 | 27,0 | 2,0 | 1,0 | - | PVC Shore 70 | 1.000 |
| 5857PF01MS | 35,0 | 21,0 | 8,0 | 28,0 | 2,0 | 1,0 | 14,0 | TPE Shore A 45 | 1.000 |
| 5858PF01MS | 44,0 | 29,0 | 9,0 | 37,0 | 2,0 | 1,0 | 17,0 | TPE Shore A 45 | 1.000 |
| 5859PF01MS | 54,0 | 36,0 | 10,0 | 47,0 | 2,5 | 1,2 | 27,0 | TPE Shore A 45 | 500 |
| 5876PF01MS | 68,0 | 47,0 | 9,0 | 59,0 | 2,5 | 1,5 | 27,0 | TPE Shore A 45 | 250 |