

SNAP RIVET



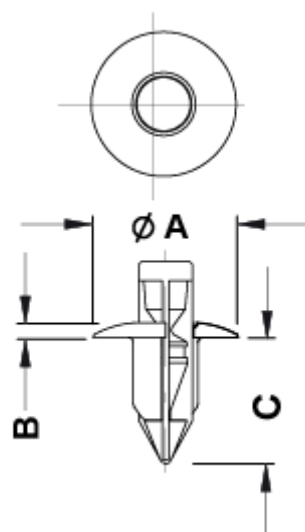
Technical description

Material: POM

UL Flammability: HB (UL 94)

Operating temperature: -35°C ~ +100°C

All dimensions are in mm.



Code	A	B	C	Mounting hole	Thickness	MOQ-Pcs
10520GA01	14,8	1,5	13,5	Ø 7,0	3,0 - 3,5	1.000