

SHIELDING CLIPS FOR DIN/OMEGA RAIL



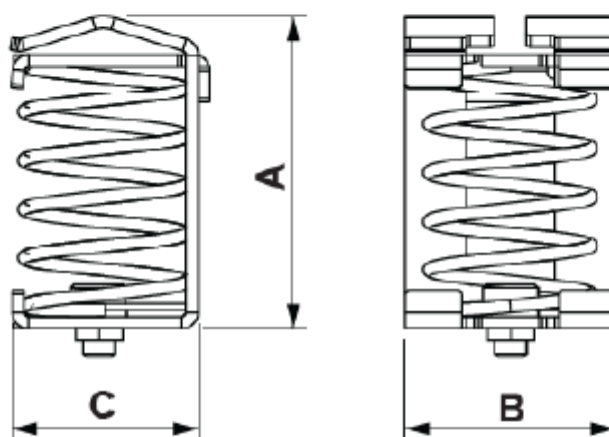
Technical description

Material: Spring steel

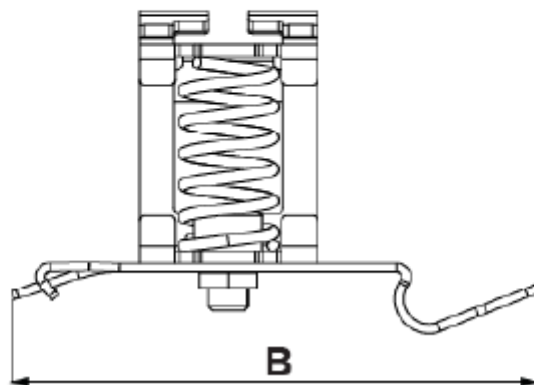
All dimensions are in mm



TYPE 1



TYPE 2



| Code | Type | A | B | C | Ø cable diameter | MOQ-Pcs |
|-----------|------|------|------|------|------------------|---------|
| 19143MC94 | 2 | 26,0 | 50,0 | 14,5 | Ø 3,0 - 8,0 | 10 |
| 19144MC94 | 1 | 30,0 | 18,0 | 15,0 | Ø 4,0 - 13,5 | 10 |
| 19145MC94 | 2 | 30,0 | 50,5 | 20,5 | Ø 4,0 - 13,5 | 10 |
| 19146MC94 | 1 | 40,0 | 26,0 | 25,0 | Ø 10,0 - 20,0 | 10 |
| 19147MC94 | 2 | 40,0 | 50,5 | 25,5 | Ø 10,0 - 20,0 | 10 |
| 19148MC94 | 1 | 64,0 | 32,0 | 36,0 | Ø 15,0 - 32,0 | 10 |

| Code | Type | A | B | C | Ø cable diameter | MOQ-Pcs |
|-----------|------|------|------|------|------------------|---------|
| 19149MC94 | 2 | 64,0 | 50,5 | 34,5 | Ø 15,0 - 32,0 | 10 |