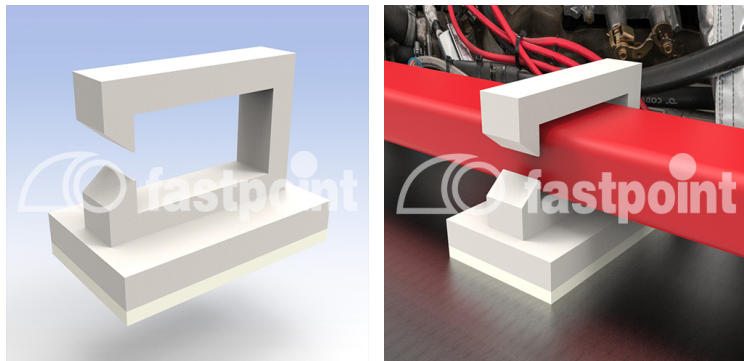


## SELF-ADHESIVE WIRE CLIPS



### Technical description

**Material:** PA 6.6

**Colour:** Natural

**Adhesive:** Standard

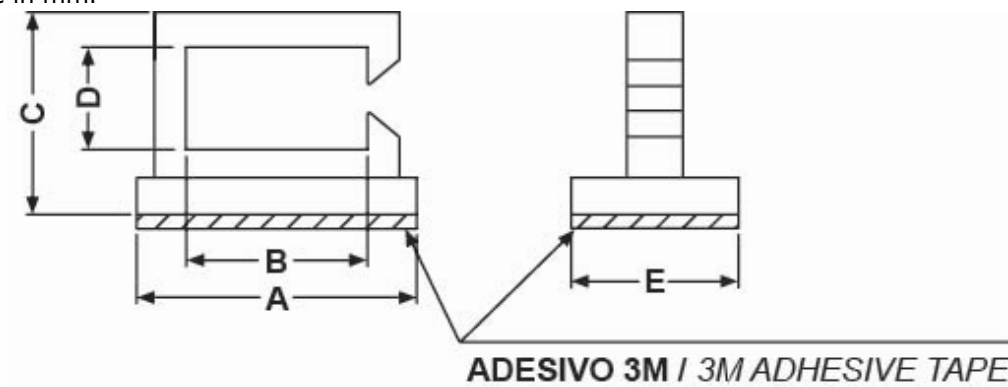
**Flammability:** V2 (UL 94)

**Working temperature:**

-PA 6.6: -35°C ~ +85°C

-Standard adhesive: -20°C ~ +70°C

All dimensions are in mm.



Code	A	B	C	D	E	Thickness	MOQ-Pcs
12061AA00AS	15,9	10,3	11,6	5,8	9,5	1.1 mm	1.000