

SELF-ADHESIVE CABLE TIE MOUNTS TWO WAY



Technical description

Material: PA 6.6

Colour: natural

Flammability: V2(UL94)

Working temperature -35°C ~ +85°C

Adhesive: standard

Standard adhesive:

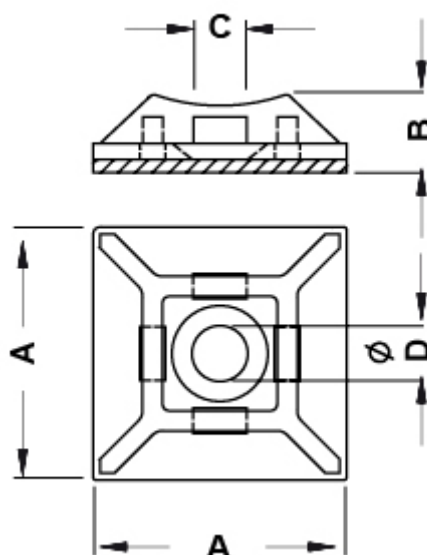
- Working temperature:

-30°C ~ +60°C

- Application temperature:

+15°C ~ +40°C

All dimensions are in mm



Code	A	B	C	D	Notes	MOQ-Pcs
6136AA00AS	27,8 x 27,8	6,4	6,0	Ø 5,5	4x ingressi	250
8298AA00AS	19,0 x 19,0	5,8	4,5	Ø 4,0	4x ingressi	500