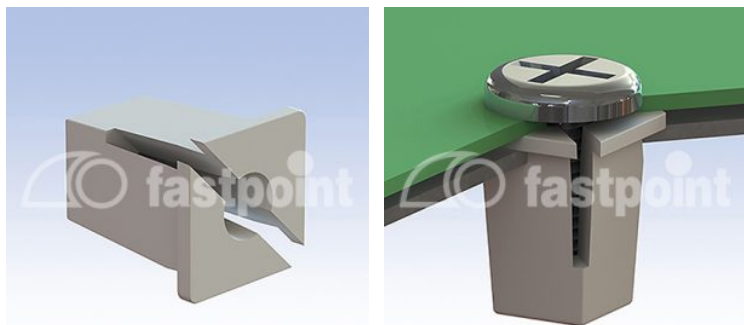


SCREW GROMMETS



Technical description

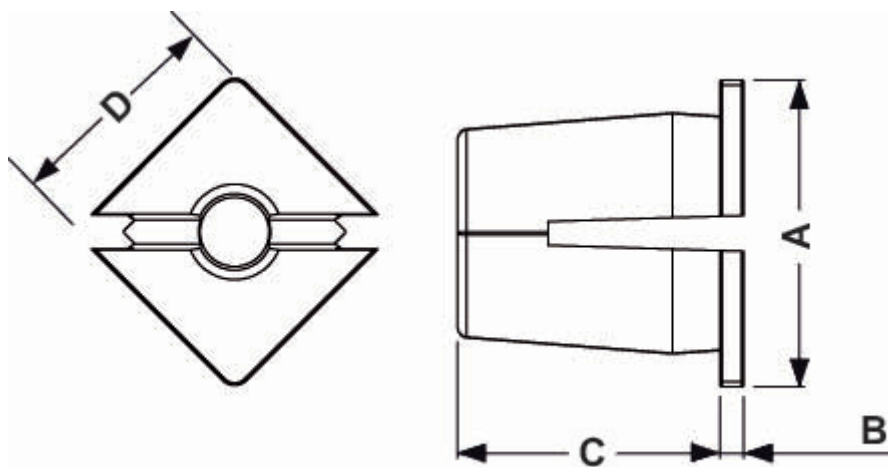
Material: PA 6.6

Colour: Natural

UL Flammability: V2 (UL 94)

Operating temperature: -35°C ~ +85°C

All dimensions are in mm.



| Code | A | B | C | D | Mounting hole | Thickness | Screw | MOQ-Pcs |
|----------|------|-----|------|-------------|---------------|-----------|---------|---------|
| 0093AA00 | 12,2 | 1,0 | 11,0 | 9,2 x 9,2 | 7,0 x 7,0 | 0,5 - 2,0 | 0,8 | 2.500 |
| 0098AA00 | 12,2 | 1,0 | 11,0 | 9,2 x 9,2 | 7,0 x 7,0 | 0,5 - 2,0 | 0,8 | 2.500 |
| 0101AA00 | 15,0 | 1,2 | 18,0 | 12,2 x 12,2 | 9,5 x 9,5 | 0,5 - 2,0 | 8 -10 P | 2.500 |
| 3515AA00 | 12,8 | 0,8 | 11,5 | 11,0 x 11,0 | 8,0 x 8,0 | 0,7 - 2,0 | 0,9 | 2.500 |