

SCREW CAPS



Technical description

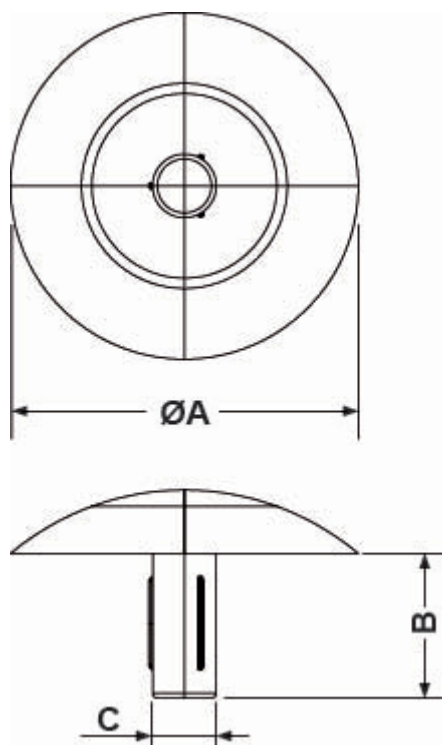
Material: PE-LD

Colour: Black

Flammability: V2 (UL94)

Working temperature: -30°C ~ +70°C

All dimensions are in mm



Code	A	B	C	MOQ-Pcs
25160EA01	12,0	5,0	2,2	1.000

Code	A	B	C	MOQ-Pcs
25161EA01	13,5	5,0	2,4	1.000
25162EA01	12,0	2,1	2,5	1.000
25163EA01	10,0	5,0	2,5	1.000
25164EA01	12,0	5,0	2,5	1.000
25165EA01	15,0	5,0	2,5	1.000
25166EA01	12,0	3,5	2,6	1.000
25167EA01	5,8	7,0	2,8	1.000
25168EA01	11,0	4,8	2,8	1.000
25169EA01	12,0	5,5	3,0	1.000
25170EA01	12,0	6,0	3,0	1.000
25171EA01	15,0	7,0	3,0	1.000
25172EA01	18,0	9,0	3,0	1.000
25173EA01	15,0	2,5	3,6	1.000