

ROUND Ø 8,0 F/M METRIC M3 SPACERS



Technical description

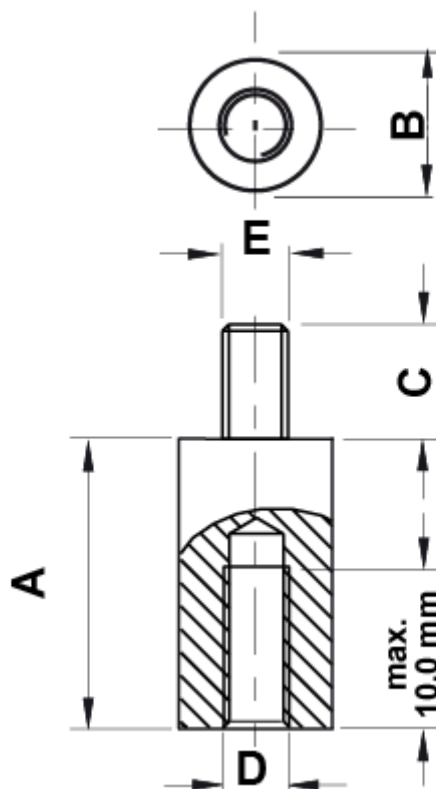
Material: PA 6.6

Colour: Black

UL Flammability: HB (UL 94)

Operating temperature: -30°C ~ +150°C

All dimensions are in mm.



| Code | A | B | C | D | E | MOQ-Pcs |
|---------------|-----|-------|-----|----|----|---------|
| 10034AA0105.0 | 5,0 | Ø 8,0 | 8,0 | M3 | M3 | 500 |

| Code | A | B | C | D | E | MOQ-Pcs |
|---------------|------|-------|-----|----|----|---------|
| 10034AA0106.0 | 6,0 | Ø 8,0 | 8,0 | M3 | M3 | 500 |
| 10034AA0107.0 | 7,0 | Ø 8,0 | 8,0 | M3 | M3 | 500 |
| 10034AA0108.0 | 8,0 | Ø 8,0 | 8,0 | M3 | M3 | 500 |
| 10034AA0109.0 | 9,0 | Ø 8,0 | 8,0 | M3 | M3 | 500 |
| 10034AA0110.0 | 10,0 | Ø 8,0 | 8,0 | M3 | M3 | 500 |
| 10034AA0111.0 | 11,0 | Ø 8,0 | 8,0 | M3 | M3 | 500 |
| 10034AA0112.0 | 12,0 | Ø 8,0 | 8,0 | M3 | M3 | 500 |
| 10034AA0113.0 | 13,0 | Ø 8,0 | 8,0 | M3 | M3 | 500 |
| 10034AA0114.0 | 14,0 | Ø 8,0 | 8,0 | M3 | M3 | 500 |
| 10034AA0115.0 | 15,0 | Ø 8,0 | 8,0 | M3 | M3 | 500 |
| 10034AA0116.0 | 16,0 | Ø 8,0 | 8,0 | M3 | M3 | 500 |
| 10034AA0117.0 | 17,0 | Ø 8,0 | 8,0 | M3 | M3 | 500 |
| 10034AA0118.0 | 18,0 | Ø 8,0 | 8,0 | M3 | M3 | 500 |
| 10034AA0119.0 | 19,0 | Ø 8,0 | 8,0 | M3 | M3 | 500 |
| 10034AA0120.0 | 20,0 | Ø 8,0 | 8,0 | M3 | M3 | 500 |
| 10034AA0121.0 | 21,0 | Ø 8,0 | 8,0 | M3 | M3 | 500 |
| 10034AA0122.0 | 22,0 | Ø 8,0 | 8,0 | M3 | M3 | 500 |
| 10034AA0123.0 | 23,0 | Ø 8,0 | 8,0 | M3 | M3 | 500 |
| 10034AA0124.0 | 24,0 | Ø 8,0 | 8,0 | M3 | M3 | 500 |
| 10034AA0125.0 | 25,0 | Ø 8,0 | 8,0 | M3 | M3 | 500 |
| 10034AA0126.0 | 26,0 | Ø 8,0 | 8,0 | M3 | M3 | 500 |
| 10034AA0127.0 | 27,0 | Ø 8,0 | 8,0 | M3 | M3 | 500 |
| 10034AA0128.0 | 28,0 | Ø 8,0 | 8,0 | M3 | M3 | 500 |
| 10034AA0129.0 | 29,0 | Ø 8,0 | 8,0 | M3 | M3 | 500 |
| 10034AA0130.0 | 30,0 | Ø 8,0 | 8,0 | M3 | M3 | 500 |
| 10034AA0131.0 | 31,0 | Ø 8,0 | 8,0 | M3 | M3 | 500 |
| 10034AA0132.0 | 32,0 | Ø 8,0 | 8,0 | M3 | M3 | 500 |
| 10034AA0133.0 | 33,0 | Ø 8,0 | 8,0 | M3 | M3 | 500 |
| 10034AA0134.0 | 34,0 | Ø 8,0 | 8,0 | M3 | M3 | 500 |
| 10034AA0135.0 | 35,0 | Ø 8,0 | 8,0 | M3 | M3 | 500 |
| 10034AA0136.0 | 36,0 | Ø 8,0 | 8,0 | M3 | M3 | 500 |

| Code | A | B | C | D | E | MOQ-Pcs |
|---------------|------|-------|-----|----|----|---------|
| 10034AA0137.0 | 37,0 | Ø 8,0 | 8,0 | M3 | M3 | 500 |
| 10034AA0138.0 | 38,0 | Ø 8,0 | 8,0 | M3 | M3 | 500 |
| 10034AA0139.0 | 39,0 | Ø 8,0 | 8,0 | M3 | M3 | 500 |
| 10034AA0140.0 | 40,0 | Ø 8,0 | 8,0 | M3 | M3 | 500 |
| 10034AA0141.0 | 41,0 | Ø 8,0 | 8,0 | M3 | M3 | 500 |
| 10034AA0142.0 | 42,0 | Ø 8,0 | 8,0 | M3 | M3 | 500 |
| 10034AA0143.0 | 43,0 | Ø 8,0 | 8,0 | M3 | M3 | 500 |
| 10034AA0144.0 | 44,0 | Ø 8,0 | 8,0 | M3 | M3 | 500 |
| 10034AA0145.0 | 45,0 | Ø 8,0 | 8,0 | M3 | M3 | 500 |
| 10034AA0146.0 | 46,0 | Ø 8,0 | 8,0 | M3 | M3 | 500 |
| 10034AA0147.0 | 47,0 | Ø 8,0 | 8,0 | M3 | M3 | 500 |
| 10034AA0148.0 | 48,0 | Ø 8,0 | 8,0 | M3 | M3 | 500 |
| 10034AA0149.0 | 49,0 | Ø 8,0 | 8,0 | M3 | M3 | 500 |
| 10034AA0150.0 | 50,0 | Ø 8,0 | 8,0 | M3 | M3 | 500 |
| 10034AA0151.0 | 51,0 | Ø 8,0 | 8,0 | M3 | M3 | 500 |
| 10034AA0152.0 | 52,0 | Ø 8,0 | 8,0 | M3 | M3 | 500 |
| 10034AA0153.0 | 53,0 | Ø 8,0 | 8,0 | M3 | M3 | 500 |
| 10034AA0154.0 | 54,0 | Ø 8,0 | 8,0 | M3 | M3 | 500 |
| 10034AA0155.0 | 55,0 | Ø 8,0 | 8,0 | M3 | M3 | 500 |
| 10034AA0156.0 | 56,0 | Ø 8,0 | 8,0 | M3 | M3 | 500 |
| 10034AA0157.0 | 57,0 | Ø 8,0 | 8,0 | M3 | M3 | 500 |
| 10034AA0158.0 | 58,0 | Ø 8,0 | 8,0 | M3 | M3 | 500 |
| 10034AA0159.0 | 59,0 | Ø 8,0 | 8,0 | M3 | M3 | 500 |
| 10034AA0160.0 | 60,0 | Ø 8,0 | 8,0 | M3 | M3 | 500 |
| 10034AA0161.0 | 61,0 | Ø 8,0 | 8,0 | M3 | M3 | 500 |