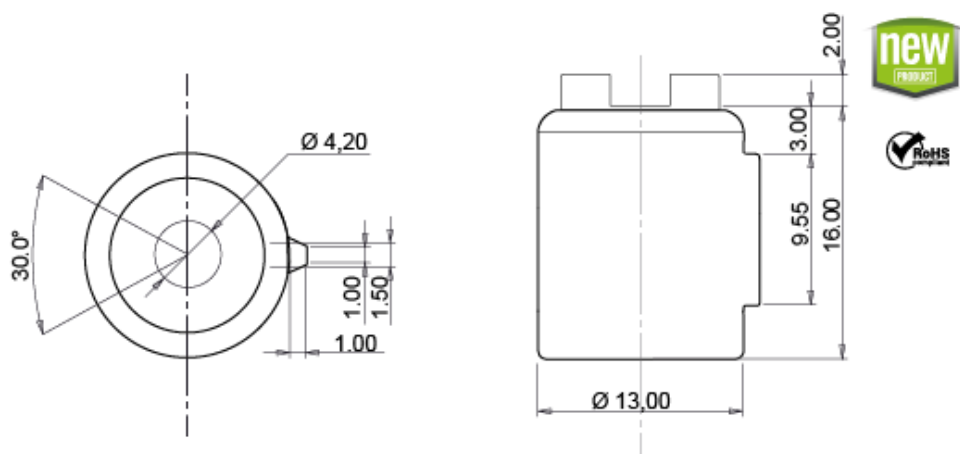


# ROTATOR



## Technical description

Material: PA6 - POM - NBR - SILICONE Color: Natural Operating temperature: -30 C ~ +90 C All dimensions are in mm.



Code	Torsioni	Rotazione	MOQ-Pcs
18626XX00	5Ncm ±0.85	Full	1.000
18627XX00	6Ncm ±0.85	Full	1.000
18628XX00	8Ncm ±1.1	Full	1.000
18629XX00	11Ncm ±1.7	Full	1.000
18630XX00	15Ncm ±2.4	220°	1.000
18631XX00	20Ncm ±3.2	220°	1.000
18632XX00	30Ncm ±4.5	220°	1.000
49004XX00	10Ncm ±1.5	Full	1.000