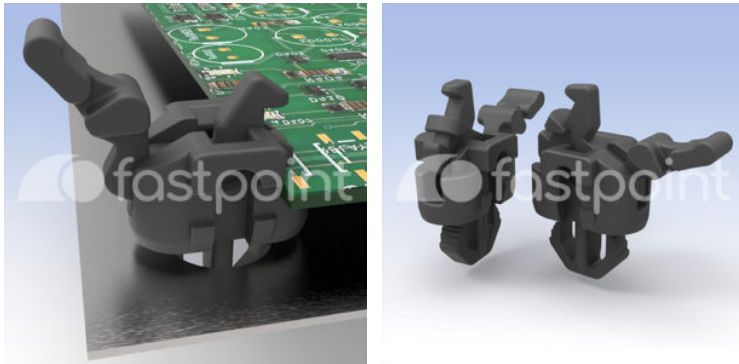


# REUSABLE LATCH SUPPORT SPACERS



## Technical description

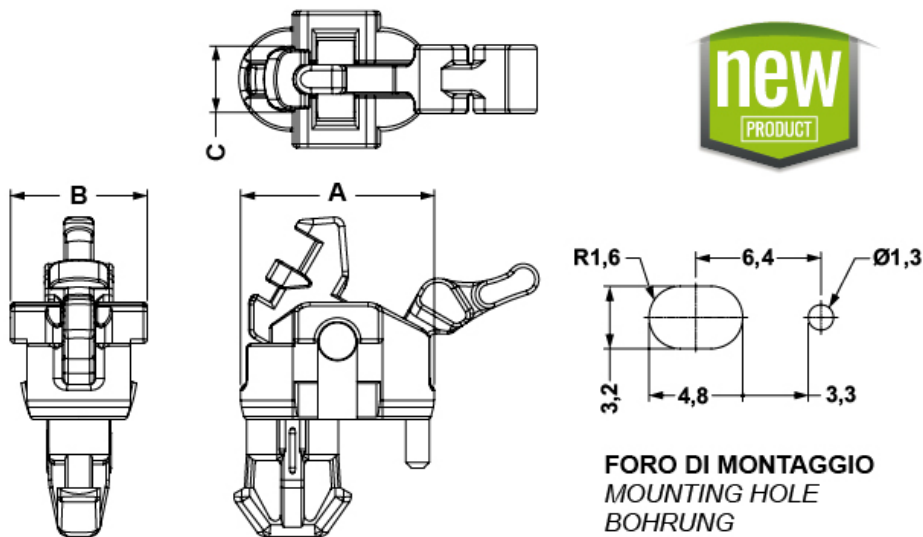
**Material body:** PA6.6 V2(UL94)

**Material latch:** PA 6.6 CV V0(UL94)

**Colour:** Black

**Working temperature:** -35°C ~ +85°C

**All dimensions are in mm**



Code	A	B	C	Thickness	MOQ-Pcs
14446AA01	9,9	7,0	3,4	3,1	1.000