

RELEASABLE RIVET



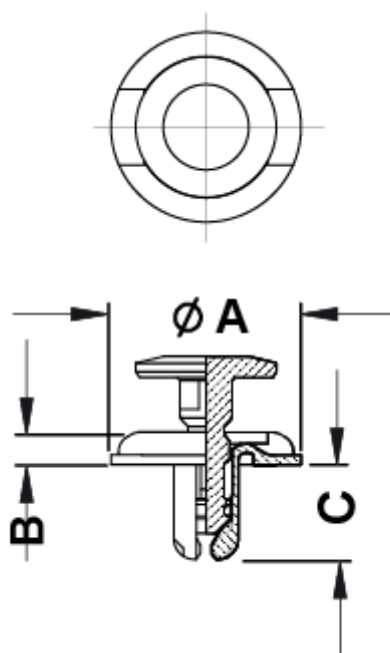
Technical description

Material: POM

UL Flammability : HB (UL94)

Colour: Black

Working temperature: -35°C ~ + 100°C



Code	A	B	C	Mounting hole	Thickness	Type	MOQ-Pcs
10523GA01	18,1	3,4	7,4	Ø 7,2	3,0 - 4,0	3	1.000