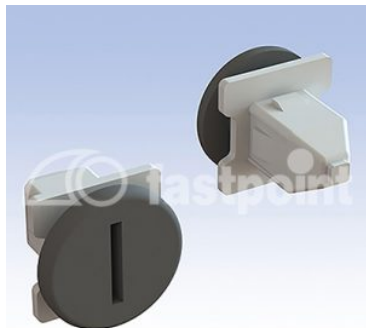


QUARTER TURN LATCH



Technical description

Material: PA 6.6

Colour: See table

UL Flammability: V2 (UL 94)

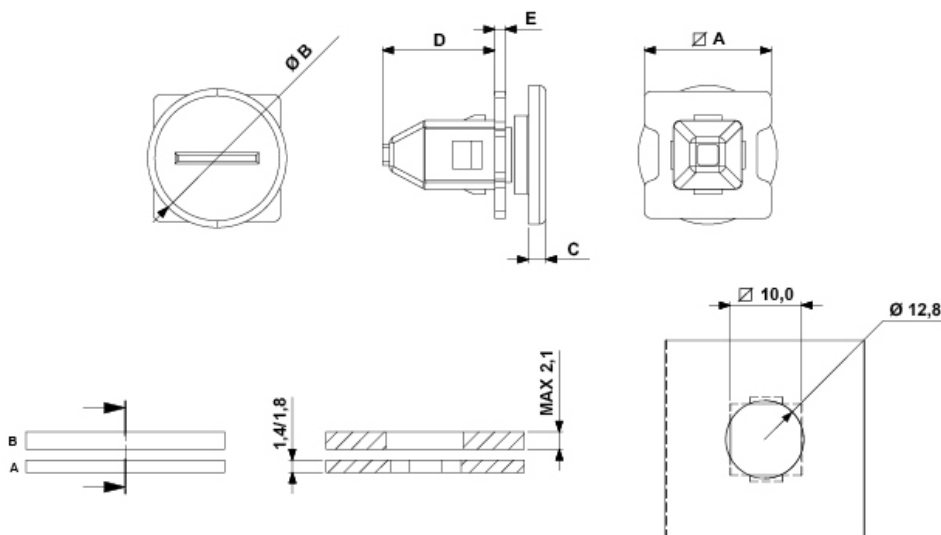
Operating temperature:

-35°C ~ +85°C

All dimensions are in mm.

To disassemble turn the head of the latch through 90° clockwise.

The part is designed for two different Panel rangers. 90° rotation of body for different Thickness.



Code	A	B	C	D	E	Colour	MOQ-Pcs
8094AA01	18,1	19,8	2,5	16,0	1,5	Body: natural - Pin: black	1.000