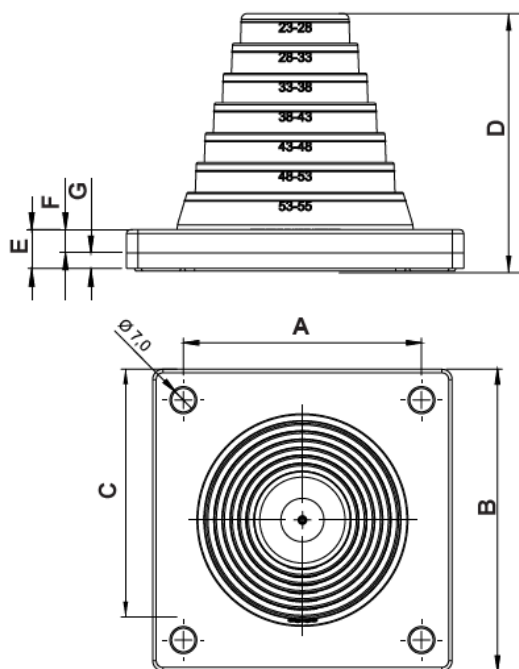


PYRAMID SHAPE GROMMET



Technical description

Material: PA/TPE **Color:** Gray **Self-extinguishing:** V0 (UL94) **Operating temperature:** -40°C ~ +155°C **All dimensions are in mm**



Code	A	B	C	D	E	F	G	Mounting hole	Ø cable diameter	MOQ-Pcs
19034PS11	70,0	88,0	70,0	66,0	10,0	6,0	4,0	58,5	Ø23,0 - 55,0	10
19035PS11	70,0	88,0	70,0	66,0	10,0	6,0	4,0	58,5	Ø38,0 - 68,0	10