

## PLASTIC VENTILATION PLUG M12



### Technical description

**Body material:** PA 6

**Membrane material:** PA

**Washer material:** NBR-EPDM

**Colour:** grey or black

### Flammability:

-PA 6: V2 (UL94)

-NBR-EPDM: HB(UL94)

### Overall working temperature:

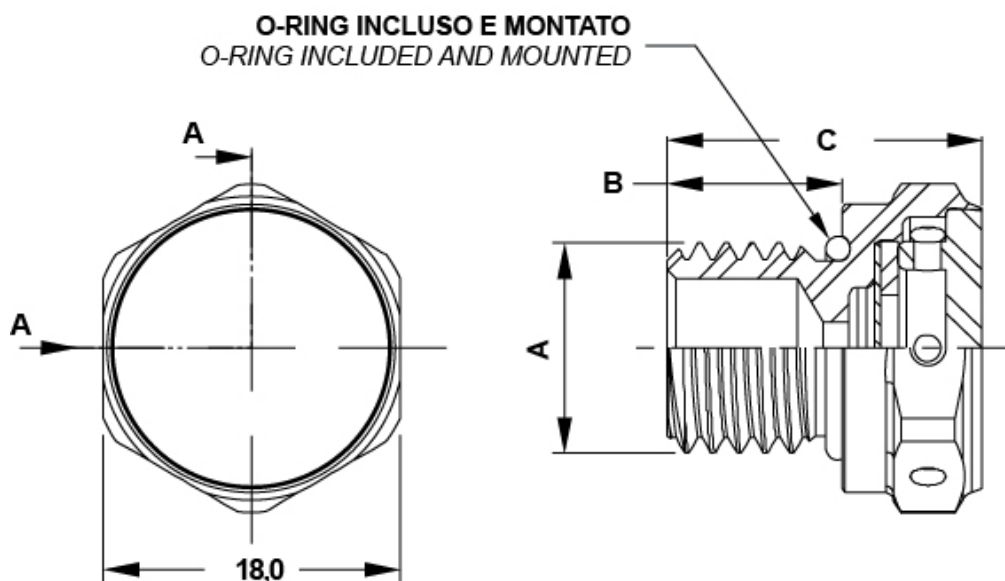
-20°C ~ +100° C

**Protection grade** IP68

**Torque value:** 0,5 -1,0 Nm

**Metric according** EN 60423

**PA 6 V0(UL94) available by special request**



Code	A	B	C	Mounting hole	Colour	Average Air Flow l/H	Water intrusion	MOQ-Pcs
8257AA019005HL	M12X1,5	10,0	18,5	Ø 12,3	RAL 9005	133,0	0,2 Bar	100
8257AA019005SL	M12X1,5	10,0	18,5	Ø 12,3	RAL 9005	16,0	0,9 Bar	100
8257AA019005UHL	M12X1,5	10,0	18,5	Ø 12,3	RAL 9005	300,0	0,1 Bar	100
8257AA117035HL	M12X1,5	10,0	18,5	Ø 12,3	RAL 7035	133,0	0,2 Bar	100
8257AA117035SL	M12X1,5	10,0	18,5	Ø 12,3	RAL 7035	16,0	0,9 Bar	100
8257AA117035UHL	M12X1,5	10,0	18,5	Ø 12,3	RAL 7035	300,0	0,1 Bar	100