

PCV FEET AND PUSH-IN BUMPER



Technical description

Material: PVC 75+/- 5 SHORE A

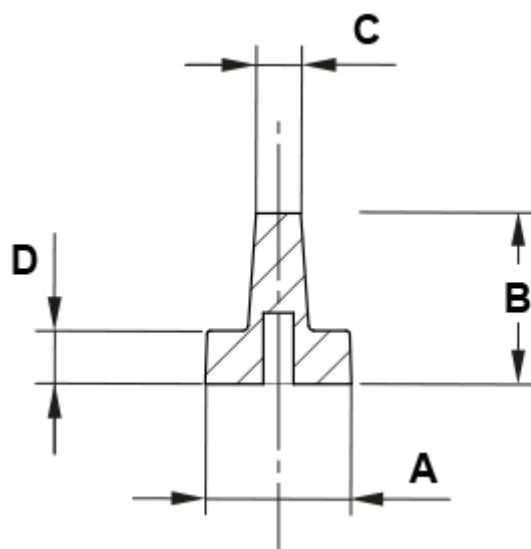
Operating temperature: -25°C ~ +60°C

Material: LD - PE

Operating temperature: -25°C ~ +60°C

Colour: Black

All dimensions are in mm.



Code	A	B	C	D	MOQ-Pcs
15981CA01	Ø8,2	9,6	Ø2,5	3,0	2.500