

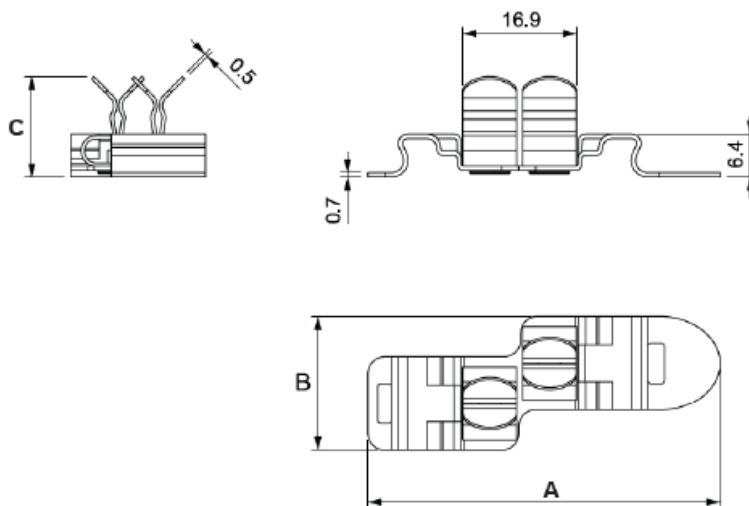
DOUBLE SHIELDING CLIPS FOR DIN RAIL



Technical description

Material: Spring steel

All dimensions are in mm



Code	A	B	C	Ø cable diameter	MOQ-Pcs
19140MC94	52,4	20,0	15,5	Ø 1,5 - 3,0	50
19141MC94	52,4	20,0	18,0	Ø 3,0 - 6,0	50
19142MC94	52,4	20,0	18,0	Ø 1,5 - 3,0 + 3,0 - 6,0	50