

## METRIC – STAINLESS STEEL VENTING ELEMENT



### Technical description

Body material: Stainless steel

O-ring: Nitrile NBR

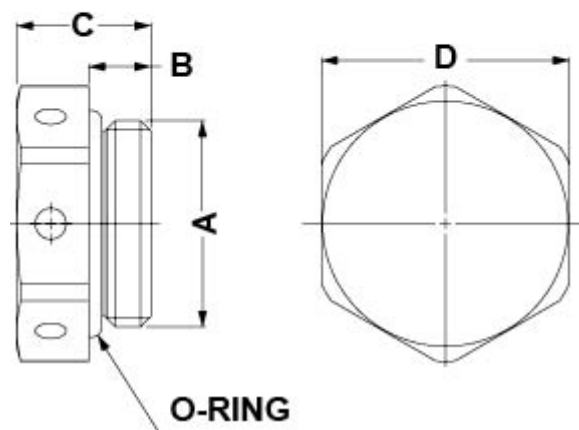
Membrane material: Polyether sulphone PES

Working temperature:  $-40^{\circ}\text{C} \sim +100^{\circ}\text{C}$

Protection grade: IP66 / IP68 - 0,6 bar (60 min.) / IP69

Metric according EN 60423

All dimensions are in mm



Code	A	B	C	D	MOQ-Pcs
15147MD90	M12 x 1,5	6,0	13,0	17,0	25
15148MD90	M20 x 1,5	6,0	13,0	24,0	10
15149MD90	M40 x 1,5	8,0	18,0	45,0	5