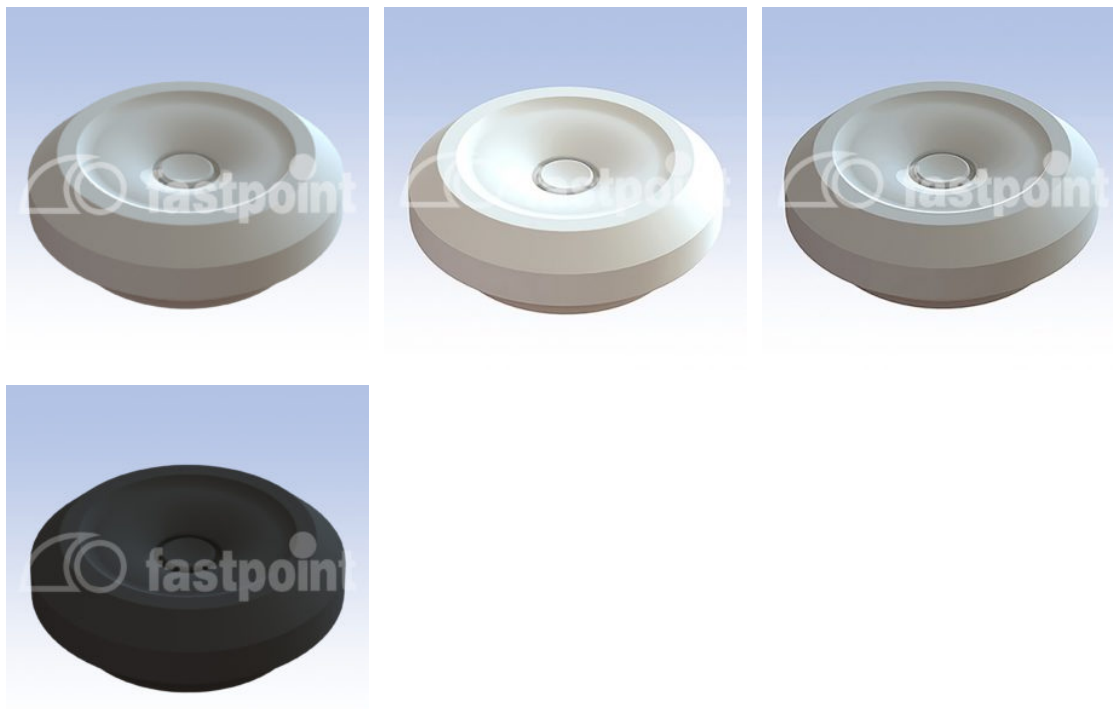


## METRIC SNAP-FIT IP67 PROTECTION GROMMETS



### Technical description

**Material:** TPE

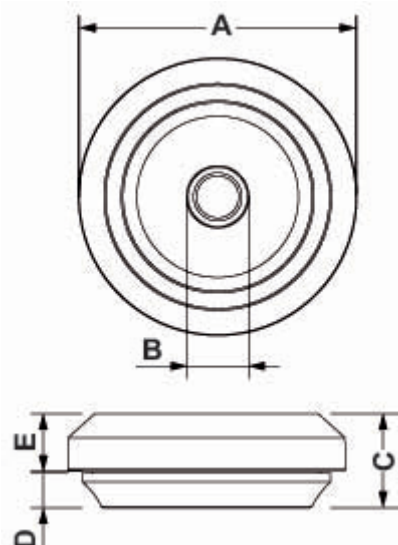
**Colour:** White, Grey and Black

**Protection grade =** IP67

**Panel:** See table

**Operating temperature:** -40°C ~ +125° CSEMKO conformity.

All dimensions are in mm.



Code	A	B	C	D	E	Size	Mounting hole	Thickness	Colour	Ø cable diameter	MOQ-Pcs
9045PF019005	24,0	4,0	11,0	4,0	6,7	PG9/15,2	16,0	0,5 - 3	Nero RAL 9005	5 - 10	500
9045PF029010	24,0	4,0	11,0	4,0	6,7	PG9/15,2	16,0	0,5 - 3	Bianco RAL 9010	5 - 10	500
9045PF117035	24,0	4,0	11,0	4,0	6,7	PG9/15,2	16,0	0,5 - 3	Grigio RAL 7035	5 - 10	500
9046PF019005	26,0	5,0	11,0	4,0	6,7	PG11/18,6	19,0	0,5 - 3	Nero RAL 9005	6 - 12	500
9046PF029010	26,0	5,0	11,0	4,0	6,7	PG11/18,6	19,0	0,5 - 3	Bianco RAL 9010	6 - 12	500
9046PF117035	26,0	5,0	11,0	4,0	6,7	PG11/18,6	19,0	0,5 - 3	Grigio RAL 7035	6 - 12	500
9047PF029010	30,0	7,0	11,0	4,0	6,7	PG16/22,5	23,0	0,5 - 3,5	Bianco RAL 9010	8 - 15	500
9047PF117035	30,0	7,0	11,0	4,0	6,7	PG16/22,5	23,0	0,5 - 3,5	Grigio RAL 7035	8 - 15	500
9048PF019005	36,0	9,0	11,0	4,0	6,7	PG21/28,3	29,0	0,5 - 4,5	Nero RAL 9005	10 - 20	500
9048PF029010	36,0	9,0	11,0	4,0	6,7	PG21/28,3	29,0	0,5 - 4,5	Bianco RAL 9010	10 - 20	500
9048PF117035	36,0	9,0	11,0	4,0	6,7	PG21/28,3	29,0	0,5 - 4,5	Grigio RAL 7035	10 - 20	500
9049PF019005	45,0	17,0	13,5	4,8	7,4	PG28/37,0	38,0	1,5 - 4,5	Nero RAL 9005	18 - 27	500
9049PF029010	45,0	17,0	13,5	4,8	7,4	PG28/37,0	38,0	1,5 - 4,5	Bianco RAL 9010	18 - 27	500
9049PF117035	45,0	17,0	13,5	4,8	7,4	PG28/37,0	38,0	1,5 - 4,5	Grigio RAL 7035	18 - 27	500