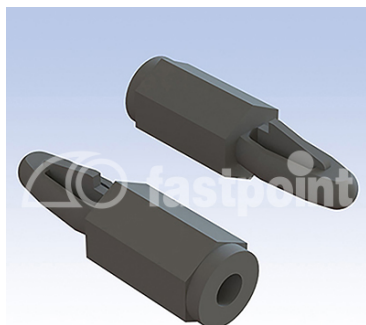


METRIC M4 SPACERS WITH SNAP-LOCK HOLE Ø 4,0



Technical description

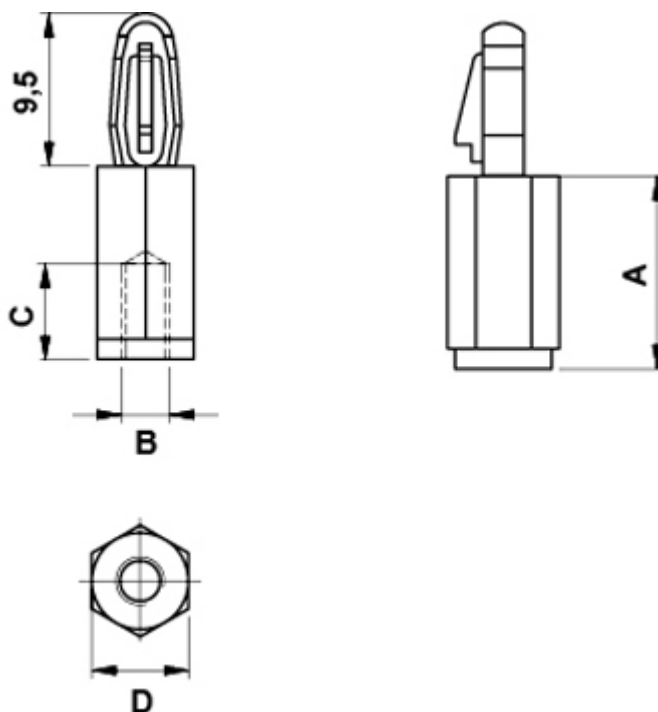
Material: PA 6.6

Colour: Black

UL Flammability: HB (UL 94)

Operating temperature: -35°C ~ +130°C

All dimensions are in mm.



Code	A	B	C	D	Mounting hole	Thickness	MOQ-Pcs
5951AA0105.0	5,0	M4	3,0	8,0	Ø 4,0	2,1	500
5951AA0106.0	6,0	M4	4,0	8,0	Ø 4,0	2,1	500

Code	A	B	C	D	Mounting hole	Thickness	MOQ-Pcs
5951AA0107.0	7,0	M4	5,0	8,0	Ø 4,0	2,1	500
5951AA0108.0	8,0	M4	6,0	8,0	Ø 4,0	2,1	500
5951AA0109.0	9,0	M4	7,0	8,0	Ø 4,0	2,1	500
5951AA0110.0	10,0	M4	8,0	8,0	Ø 4,0	2,1	500
5951AA0111.0	11,0	M4	9,0	8,0	Ø 4,0	2,1	500
5951AA0112.0	12,0	M4	10,0	8,0	Ø 4,0	2,1	500
5951AA0113.0	13,0	M4	10,0	8,0	Ø 4,0	2,1	500
5951AA0114.0	14,0	M4	10,0	8,0	Ø 4,0	2,1	500
5951AA0115.0	15,0	M4	10,0	8,0	Ø 4,0	2,1	500
5951AA0116.0	16,0	M4	10,0	8,0	Ø 4,0	2,1	500
5951AA0117.0	17,0	M4	10,0	8,0	Ø 4,0	2,1	500
5951AA0118.0	18,0	M4	10,0	8,0	Ø 4,0	2,1	500
5951AA0119.0	19,0	M4	10,0	8,0	Ø 4,0	2,1	500
5951AA0120.0	20,0	M4	10,0	8,0	Ø 4,0	2,1	500
5951AA0121.0	21,0	M4	10,0	8,0	Ø 4,0	2,1	500
5951AA0122.0	22,0	M4	10,0	8,0	Ø 4,0	2,1	500
5951AA0123.0	23,0	M4	10,0	8,0	Ø 4,0	2,1	500
5951AA0124.0	24,0	M4	10,0	8,0	Ø 4,0	2,1	500
5951AA0125.0	25,0	M4	10,0	8,0	Ø 4,0	2,1	500
5951AA0126.0	26,0	M4	10,0	8,0	Ø 4,0	2,1	500
5951AA0127.0	27,0	M4	10,0	8,0	Ø 4,0	2,1	500
5951AA0128.0	28,0	M4	10,0	8,0	Ø 4,0	2,1	500
5951AA0129.0	29,0	M4	10,0	8,0	Ø 4,0	2,1	500
5951AA0130.0	30,0	M4	10,0	8,0	Ø 4,0	2,1	500
5951AA0131.0	31,0	M4	10,0	8,0	Ø 4,0	2,1	500
5951AA0132.0	32,0	M4	10,0	8,0	Ø 4,0	2,1	500
5951AA0133.0	33,0	M4	10,0	8,0	Ø 4,0	2,1	500
5951AA0134.0	34,0	M4	10,0	8,0	Ø 4,0	2,1	500
5951AA0135.0	35,0	M4	10,0	8,0	Ø 4,0	2,1	500
5951AA0136.0	36,0	M4	10,0	8,0	Ø 4,0	2,1	500
5951AA0137.0	37,0	M4	10,0	8,0	Ø 4,0	2,1	500

Code	A	B	C	D	Mounting hole	Thickness	MOQ-Pcs
5951AA0138.0	38,0	M4	10,0	8,0	Ø 4,0	2,1	500
5951AA0139.0	39,0	M4	10,0	8,0	Ø 4,0	2,1	500
5951AA0140.0	40,0	M4	10,0	8,0	Ø 4,0	2,1	500
5951AA0141.0	41,0	M4	10,0	8,0	Ø 4,0	2,1	500
5951AA0142.0	42,0	M4	10,0	8,0	Ø 4,0	2,1	500
5951AA0143.0	43,0	M4	10,0	8,0	Ø 4,0	2,1	500
5951AA0144.0	44,0	M4	10,0	8,0	Ø 4,0	2,1	500
5951AA0145.0	45,0	M4	10,0	8,0	Ø 4,0	2,1	500
5951AA0146.0	46,0	M4	10,0	8,0	Ø 4,0	2,1	500
5951AA0147.0	47,0	M4	10,0	8,0	Ø 4,0	2,1	500
5951AA0148.0	48,0	M4	10,0	8,0	Ø 4,0	2,1	500
5951AA0149.0	49,0	M4	10,0	8,0	Ø 4,0	2,1	500
5951AA0150.0	50,0	M4	10,0	8,0	Ø 4,0	2,1	500
5951AA0151.0	51,0	M4	10,0	8,0	Ø 4,0	2,1	500
5951AA0152.0	52,0	M4	10,0	8,0	Ø 4,0	2,1	500
5951AA0153.0	53,0	M4	10,0	8,0	Ø 4,0	2,1	500
5951AA0154.0	54,0	M4	10,0	8,0	Ø 4,0	2,1	500
5951AA0155.0	55,0	M4	10,0	8,0	Ø 4,0	2,1	500
5951AA0156.0	56,0	M4	10,0	8,0	Ø 4,0	2,1	500
5951AA0157.0	57,0	M4	10,0	8,0	Ø 4,0	2,1	500
5951AA0158.0	58,0	M4	10,0	8,0	Ø 4,0	2,1	500
5951AA0159.0	59,0	M4	10,0	8,0	Ø 4,0	2,1	500
5951AA0160.0	60,0	M4	10,0	8,0	Ø 4,0	2,1	500
5951AA0161.0	61,0	M4	10,0	8,0	Ø 4,0	2,1	500