

METRIC M3-UNC4.40 M/F HEXAGONAL 6,0 SPACERS



Technical description

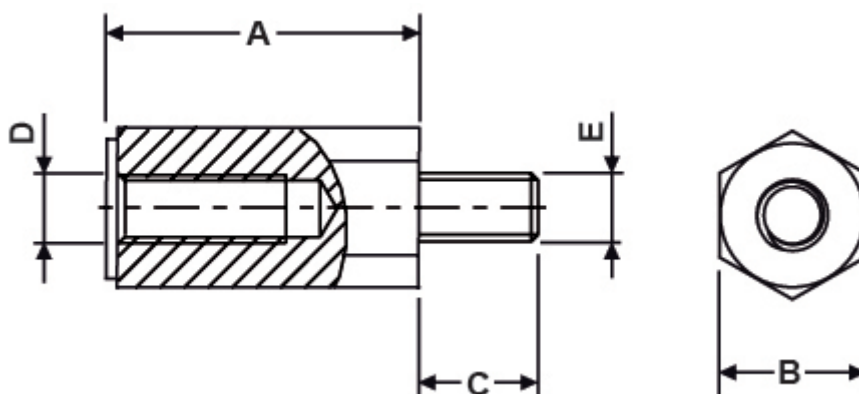
Material: PA 6.6

Colour: Black

Flammability: HB (UL94)

Working temperature: -35°C ~ +130°C

All dimensions are in mm



| Code | A | B | C | D | E | MOQ-Pcs |
|---------------|------|-----|-----|----|---------|---------|
| 10017AA0105.0 | 5,0 | 6,0 | 5,0 | M3 | UNC4.40 | 500 |
| 10017AA0106.0 | 6,0 | 6,0 | 5,0 | M3 | UNC4.40 | 500 |
| 10017AA0107.0 | 7,0 | 6,0 | 5,0 | M3 | UNC4.40 | 500 |
| 10017AA0108.0 | 8,0 | 6,0 | 5,0 | M3 | UNC4.40 | 500 |
| 10017AA0109.0 | 9,0 | 6,0 | 5,0 | M3 | UNC4.40 | 500 |
| 10017AA0110.0 | 10,0 | 6,0 | 5,0 | M3 | UNC4.40 | 500 |
| 10017AA0111.0 | 11,0 | 6,0 | 5,0 | M3 | UNC4.40 | 500 |
| 10017AA0112.0 | 12,0 | 6,0 | 5,0 | M3 | UNC4.40 | 500 |
| 10017AA0113.0 | 13,0 | 6,0 | 5,0 | M3 | UNC4.40 | 500 |

| Code | A | B | C | D | E | MOQ-Pcs |
|---------------|------|-----|-----|----|---------|---------|
| 10017AA0114.0 | 14,0 | 6,0 | 5,0 | M3 | UNC4.40 | 500 |
| 10017AA0115.0 | 15,0 | 6,0 | 5,0 | M3 | UNC4.40 | 500 |
| 10017AA0116.0 | 16,0 | 6,0 | 5,0 | M3 | UNC4.40 | 500 |
| 10017AA0117.0 | 17,0 | 6,0 | 5,0 | M3 | UNC4.40 | 500 |
| 10017AA0118.0 | 18,0 | 6,0 | 5,0 | M3 | UNC4.40 | 500 |
| 10017AA0119.0 | 19,0 | 6,0 | 5,0 | M3 | UNC4.40 | 500 |
| 10017AA0120.0 | 20,0 | 6,0 | 5,0 | M3 | UNC4.40 | 500 |
| 10017AA0121.0 | 21,0 | 6,0 | 5,0 | M3 | UNC4.40 | 500 |
| 10017AA0122.0 | 22,0 | 6,0 | 5,0 | M3 | UNC4.40 | 500 |
| 10017AA0123.0 | 23,0 | 6,0 | 5,0 | M3 | UNC4.40 | 500 |
| 10017AA0124.0 | 24,0 | 6,0 | 5,0 | M3 | UNC4.40 | 500 |
| 10017AA0125.0 | 25,0 | 6,0 | 5,0 | M3 | UNC4.40 | 500 |
| 10017AA0126.0 | 26,0 | 6,0 | 5,0 | M3 | UNC4.40 | 500 |
| 10017AA0127.0 | 27,0 | 6,0 | 5,0 | M3 | UNC4.40 | 500 |
| 10017AA0128.0 | 28,0 | 6,0 | 5,0 | M3 | UNC4.40 | 500 |
| 10017AA0129.0 | 29,0 | 6,0 | 5,0 | M3 | UNC4.40 | 500 |
| 10017AA0130.0 | 30,0 | 6,0 | 5,0 | M3 | UNC4.40 | 500 |
| 10017AA0131.0 | 31,0 | 6,0 | 5,0 | M3 | UNC4.40 | 500 |
| 10017AA0132.0 | 32,0 | 6,0 | 5,0 | M3 | UNC4.40 | 500 |
| 10017AA0133.0 | 33,0 | 6,0 | 5,0 | M3 | UNC4.40 | 500 |
| 10017AA0134.0 | 34,0 | 6,0 | 5,0 | M3 | UNC4.40 | 500 |
| 10017AA0135.0 | 35,0 | 6,0 | 5,0 | M3 | UNC4.40 | 500 |
| 10017AA0136.0 | 36,0 | 6,0 | 5,0 | M3 | UNC4.40 | 500 |
| 10017AA0137.0 | 37,0 | 6,0 | 5,0 | M3 | UNC4.40 | 500 |
| 10017AA0138.0 | 38,0 | 6,0 | 5,0 | M3 | UNC4.40 | 500 |
| 10017AA0139.0 | 39,0 | 6,0 | 5,0 | M3 | UNC4.40 | 500 |
| 10017AA0140.0 | 40,0 | 6,0 | 5,0 | M3 | UNC4.40 | 500 |
| 10017AA0141.0 | 41,0 | 6,0 | 5,0 | M3 | UNC4.40 | 500 |
| 10017AA0142.0 | 42,0 | 6,0 | 5,0 | M3 | UNC4.40 | 500 |
| 10017AA0143.0 | 43,0 | 6,0 | 5,0 | M3 | UNC4.40 | 500 |
| 10017AA0144.0 | 44,0 | 6,0 | 5,0 | M3 | UNC4.40 | 500 |

| Code | A | B | C | D | E | MOQ-Pcs |
|---------------|------|-----|-----|----|---------|---------|
| 10017AA0145.0 | 45,0 | 6,0 | 5,0 | M3 | UNC4.40 | 500 |
| 10017AA0146.0 | 46,0 | 6,0 | 5,0 | M3 | UNC4.40 | 500 |
| 10017AA0147.0 | 47,0 | 6,0 | 5,0 | M3 | UNC4.40 | 500 |
| 10017AA0148.0 | 48,0 | 6,0 | 5,0 | M3 | UNC4.40 | 500 |
| 10017AA0149.0 | 49,0 | 6,0 | 5,0 | M3 | UNC4.40 | 500 |
| 10017AA0150.0 | 50,0 | 6,0 | 5,0 | M3 | UNC4.40 | 500 |
| 10017AA0151.0 | 51,0 | 6,0 | 5,0 | M3 | UNC4.40 | 500 |
| 10017AA0152.0 | 52,0 | 6,0 | 5,0 | M3 | UNC4.40 | 500 |
| 10017AA0153.0 | 53,0 | 6,0 | 5,0 | M3 | UNC4.40 | 500 |
| 10017AA0154.0 | 54,0 | 6,0 | 5,0 | M3 | UNC4.40 | 500 |
| 10017AA0155.0 | 55,0 | 6,0 | 5,0 | M3 | UNC4.40 | 500 |
| 10017AA0156.0 | 56,0 | 6,0 | 5,0 | M3 | UNC4.40 | 500 |
| 10017AA0157.0 | 57,0 | 6,0 | 5,0 | M3 | UNC4.40 | 500 |
| 10017AA0158.0 | 58,0 | 6,0 | 5,0 | M3 | UNC4.40 | 500 |
| 10017AA0159.0 | 59,0 | 6,0 | 5,0 | M3 | UNC4.40 | 500 |
| 10017AA0160.0 | 60,0 | 6,0 | 5,0 | M3 | UNC4.40 | 500 |
| 10017AA0161.0 | 61,0 | 6,0 | 5,0 | M3 | UNC4.40 | 500 |