

METRIC M3/M4 M/F HEXAGONAL 8,0 SPACERS



Technical description

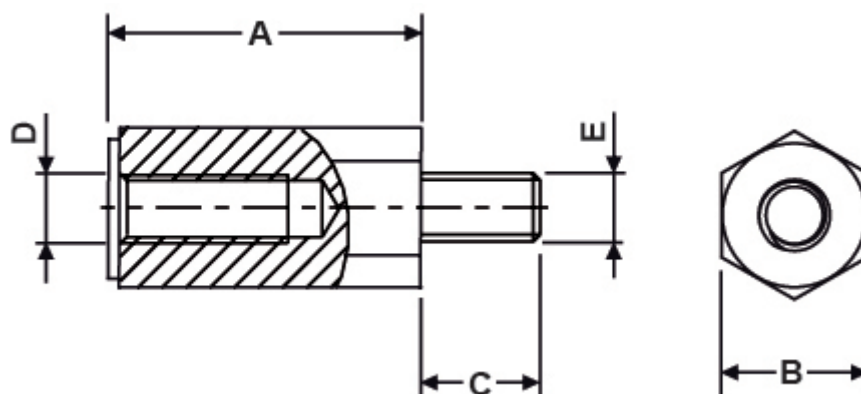
Material: PA 6.6

Colour: Black

Flammability: HB (UL94)

Working temperature: -35°C ~ +130°C

All dimensions are in mm



Code	A	B	C	D	E	MOQ-Pcs
10019AA0105.0	5,0	8,0	8,0	M3	M4	500
10019AA0106.0	6,0	8,0	8,0	M3	M4	500
10019AA0107.0	7,0	8,0	8,0	M3	M4	500
10019AA0108.0	8,0	8,0	8,0	M3	M4	500
10019AA0109.0	9,0	8,0	8,0	M3	M4	500
10019AA0110.0	10,0	8,0	8,0	M3	M4	500
10019AA0111.0	11,0	8,0	8,0	M3	M4	500
10019AA0112.0	12,0	8,0	8,0	M3	M4	500
10019AA0113.0	13,0	8,0	8,0	M3	M4	500

Code	A	B	C	D	E	MOQ-Pcs
10019AA0114.0	14,0	8,0	8,0	M3	M4	500
10019AA0115.0	15,0	8,0	8,0	M3	M4	500
10019AA0116.0	16,0	8,0	8,0	M3	M4	500
10019AA0117.0	17,0	8,0	8,0	M3	M4	500
10019AA0118.0	18,0	8,0	8,0	M3	M4	500
10019AA0119.0	19,0	8,0	8,0	M3	M4	500
10019AA0120.0	20,0	8,0	8,0	M3	M4	500
10019AA0121.0	21,0	8,0	8,0	M3	M4	500
10019AA0122.0	22,0	8,0	8,0	M3	M4	500
10019AA0123.0	23,0	8,0	8,0	M3	M4	500
10019AA0124.0	24,0	8,0	8,0	M3	M4	500
10019AA0125.0	25,0	8,0	8,0	M3	M4	500
10019AA0126.0	26,0	8,0	8,0	M3	M4	500
10019AA0127.0	27,0	8,0	8,0	M3	M4	500
10019AA0128.0	28,0	8,0	8,0	M3	M4	500
10019AA0129.0	29,0	8,0	8,0	M3	M4	500
10019AA0130.0	30,0	8,0	8,0	M3	M4	500
10019AA0131.0	31,0	8,0	8,0	M3	M4	500
10019AA0132.0	32,0	8,0	8,0	M3	M4	500
10019AA0133.0	33,0	8,0	8,0	M3	M4	500
10019AA0134.0	34,0	8,0	8,0	M3	M4	500
10019AA0135.0	35,0	8,0	8,0	M3	M4	500
10019AA0136.0	36,0	8,0	8,0	M3	M4	500
10019AA0137.0	37,0	8,0	8,0	M3	M4	500
10019AA0138.0	38,0	8,0	8,0	M3	M4	500
10019AA0139.0	39,0	8,0	8,0	M3	M4	500
10019AA0140.0	40,0	8,0	8,0	M3	M4	500
10019AA0141.0	41,0	8,0	8,0	M3	M4	500
10019AA0142.0	42,0	8,0	8,0	M3	M4	500
10019AA0143.0	43,0	8,0	8,0	M3	M4	500
10019AA0144.0	44,0	8,0	8,0	M3	M4	500

Code	A	B	C	D	E	MOQ-Pcs
10019AA0145.0	45,0	8,0	8,0	M3	M4	500