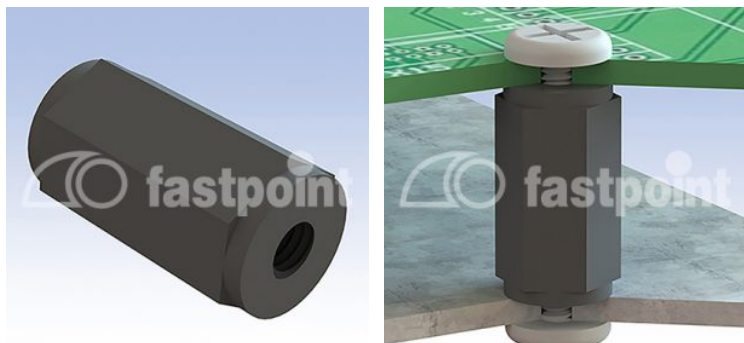


METRIC M2,5 F/F HEXAGONAL 7,0 SPACERS



Technical description

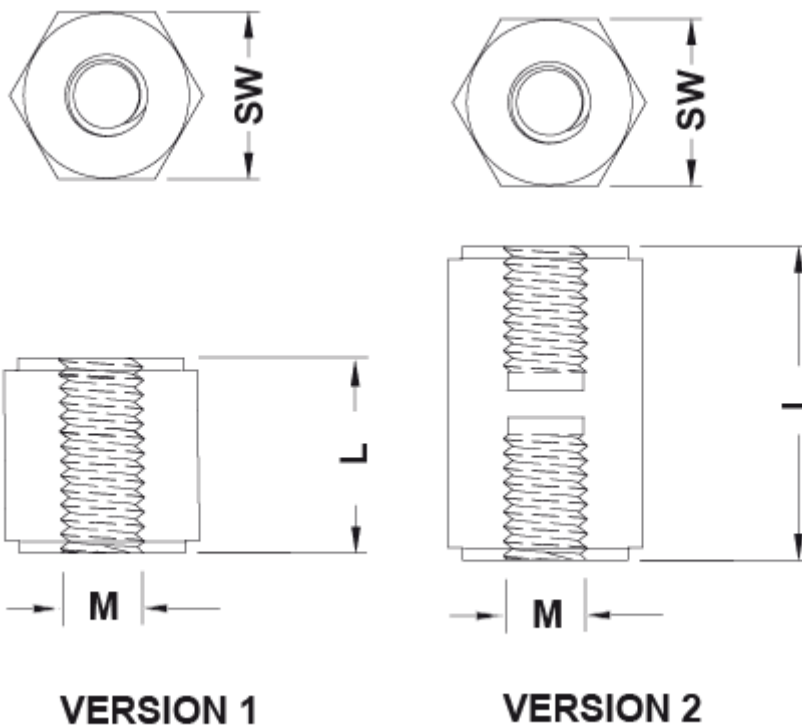
Material: PA 6, 25%GV

Colour: Black

UL Flammability: HB (UL 94)

Operating temperature: -30°C ~ +110°C

All dimensions are in mm.



| Code | L | M | SW | Type | MOQ-Pcs |
|--------------|------|----|-----|------|---------|
| 6914BB0105.0 | 5,0 | M3 | 7,0 | 1 | 1.000 |
| 6914BB0106.0 | 6,0 | M3 | 7,0 | 1 | 1.000 |
| 6914BB0107.0 | 7,0 | M3 | 7,0 | 1 | 1.000 |
| 6914BB0108.0 | 8,0 | M3 | 7,0 | 1 | 1.000 |
| 6914BB0109.0 | 9,0 | M3 | 7,0 | 1 | 1.000 |
| 6914BB0110.0 | 10,0 | M3 | 7,0 | 1 | 1.000 |
| 6914BB0111.0 | 11,0 | M3 | 7,0 | 1 | 1.000 |
| 6914BB0112.0 | 12,0 | M3 | 7,0 | 1 | 1.000 |
| 6914BB0113.0 | 13,0 | M3 | 7,0 | 1 | 1.000 |
| 6914BB0114.0 | 14,0 | M3 | 7,0 | 1 | 1.000 |
| 6914BB0115.0 | 15,0 | M3 | 7,0 | 2 | 1.000 |
| 6914BB0116.0 | 16,0 | M3 | 7,0 | 2 | 1.000 |
| 6914BB0117.0 | 17,0 | M3 | 7,0 | 2 | 1.000 |
| 6914BB0118.0 | 18,0 | M3 | 7,0 | 2 | 1.000 |
| 6914BB0119.0 | 19,0 | M3 | 7,0 | 2 | 1.000 |
| 6914BB0120.0 | 20,0 | M3 | 7,0 | 2 | 1.000 |
| 6914BB0121.0 | 21,0 | M3 | 7,0 | 2 | 1.000 |
| 6914BB0122.0 | 22,0 | M3 | 7,0 | 2 | 1.000 |
| 6914BB0123.0 | 23,0 | M3 | 7,0 | 2 | 1.000 |
| 6914BB0124.0 | 24,0 | M3 | 7,0 | 2 | 1.000 |
| 6914BB0125.0 | 25,0 | M3 | 7,0 | 2 | 1.000 |
| 6914BB0126.0 | 26,0 | M3 | 7,0 | 2 | 1.000 |
| 6914BB0127.0 | 27,0 | M3 | 7,0 | 2 | 1.000 |
| 6914BB0128.0 | 28,0 | M3 | 7,0 | 2 | 1.000 |
| 6914BB0129.0 | 29,0 | M3 | 7,0 | 2 | 1.000 |
| 6914BB0130.0 | 30,0 | M3 | 7,0 | 2 | 1.000 |
| 6914BB0131.0 | 31,0 | M3 | 7,0 | 2 | 1.000 |
| 6914BB0132.0 | 32,0 | M3 | 7,0 | 2 | 1.000 |
| 6914BB0133.0 | 33,0 | M3 | 7,0 | 2 | 1.000 |
| 6914BB0134.0 | 34,0 | M3 | 7,0 | 2 | 1.000 |
| 6914BB0135.0 | 35,0 | M3 | 7,0 | 2 | 1.000 |

| Code | L | M | SW | Type | MOQ-Pcs |
|--------------|------|----|-----|------|---------|
| 6914BB0136.0 | 36,0 | M3 | 7,0 | 2 | 1.000 |
| 6914BB0137.0 | 37,0 | M3 | 7,0 | 2 | 1.000 |
| 6914BB0138.0 | 38,0 | M3 | 7,0 | 2 | 1.000 |
| 6914BB0139.0 | 39,0 | M3 | 7,0 | 2 | 1.000 |
| 6914BB0140.0 | 40,0 | M3 | 7,0 | 2 | 1.000 |
| 6914BB0141.0 | 41,0 | M3 | 7,0 | 2 | 1.000 |
| 6914BB0142.0 | 42,0 | M3 | 7,0 | 2 | 1.000 |
| 6914BB0143.0 | 43,0 | M3 | 7,0 | 2 | 1.000 |
| 6914BB0144.0 | 44,0 | M3 | 7,0 | 2 | 1.000 |
| 6914BB0145.0 | 45,0 | M3 | 7,0 | 2 | 1.000 |
| 6914BB0146.0 | 46,0 | M3 | 7,0 | 2 | 1.000 |
| 6914BB0147.0 | 47,0 | M3 | 7,0 | 2 | 1.000 |
| 6914BB0148.0 | 48,0 | M3 | 7,0 | 2 | 1.000 |
| 6914BB0149.0 | 49,0 | M3 | 7,0 | 2 | 1.000 |
| 6914BB0150.0 | 50,0 | M3 | 7,0 | 2 | 1.000 |
| 6914BB0151.0 | 51,0 | M3 | 7,0 | 2 | 1.000 |
| 6914BB0152.0 | 52,0 | M3 | 7,0 | 2 | 1.000 |
| 6914BB0153.0 | 53,0 | M3 | 7,0 | 2 | 1.000 |
| 6914BB0154.0 | 54,0 | M3 | 7,0 | 2 | 1.000 |
| 6914BB0155.0 | 55,0 | M3 | 7,0 | 2 | 1.000 |
| 6914BB0156.0 | 56,0 | M3 | 7,0 | 2 | 1.000 |
| 6914BB0157.0 | 57,0 | M3 | 7,0 | 2 | 1.000 |
| 6914BB0158.0 | 58,0 | M3 | 7,0 | 2 | 1.000 |
| 6914BB0159.0 | 59,0 | M3 | 7,0 | 2 | 1.000 |
| 6914BB0160.0 | 60,0 | M3 | 7,0 | 2 | 1.000 |
| 6914BB0161.0 | 61,0 | M3 | 7,0 | 2 | 1.000 |
| 6914BB0162.0 | 62,0 | M3 | 7,0 | 2 | 1.000 |
| 6914BB0163.0 | 63,0 | M3 | 7,0 | 2 | 1.000 |
| 6914BB0164.0 | 64,0 | M3 | 7,0 | 2 | 1.000 |
| 6914BB0165.0 | 65,0 | M3 | 7,0 | 2 | 1.000 |