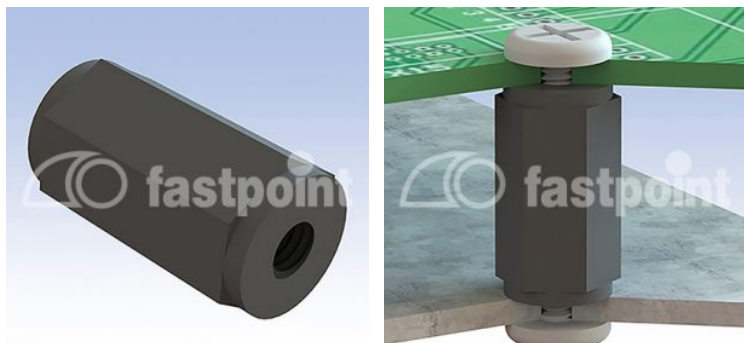


# METRIC M2,5 F/F HEXAGONAL 5,0 SPACERS



## Technical description

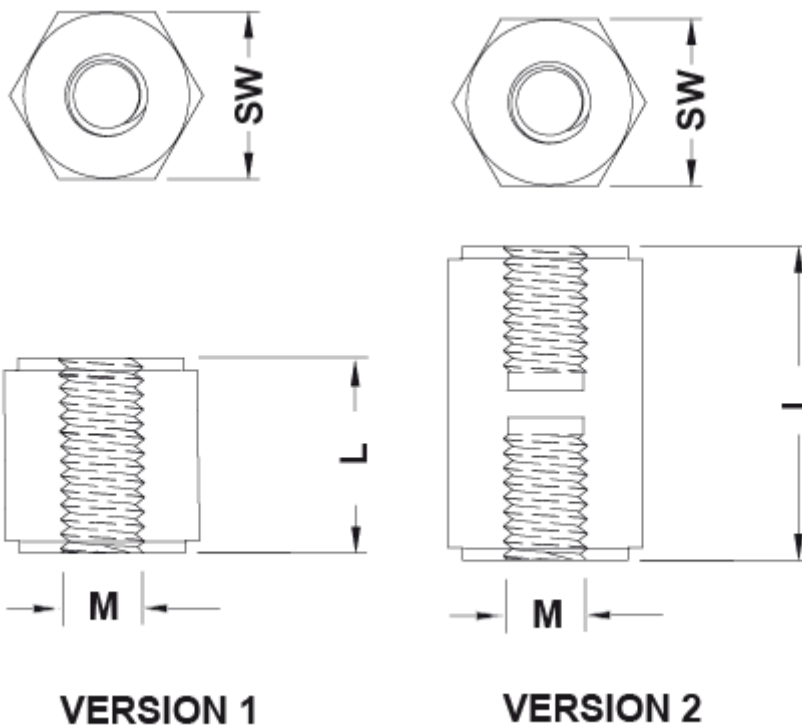
**Material:** PA 6, 25%GV

**Colour:** Black

**UL Flammability:** HB (UL 94)

**Operating temperature:** -30°C ~ +110°C

All dimensions are in mm.



Code	L	M	SW	Type	MOQ-Pcs
6911BB0105.0	5,0	M2,5	5,0	1	500
6911BB0106.0	6,0	M2,5	5,0	1	500
6911BB0107.0	7,0	M2,5	5,0	1	500
6911BB0108.0	8,0	M2,5	5,0	1	500
6911BB0109.0	9,0	M2,5	5,0	1	500
6911BB0110.0	10,0	M2,5	5,0	1	500
6911BB0111.0	11,0	M2,5	5,0	1	500
6911BB0112.0	12,0	M2,5	5,0	1	500
6911BB0113.0	13,0	M2,5	5,0	1	500
6911BB0114.0	14,0	M2,5	5,0	1	500
6911BB0115.0	15,0	M2,5	5,0	2	500
6911BB0116.0	16,0	M2,5	5,0	2	500
6911BB0117.0	17,0	M2,5	5,0	2	500
6911BB0118.0	18,0	M2,5	5,0	2	500
6911BB0119.0	19,0	M2,5	5,0	2	500
6911BB0120.0	20,0	M2,5	5,0	2	500
6911BB0121.0	21,0	M2,5	5,0	2	500
6911BB0122.0	22,0	M2,5	5,0	2	500
6911BB0123.0	23,0	M2,5	5,0	2	500
6911BB0124.0	24,0	M2,5	5,0	2	500
6911BB0125.0	25,0	M2,5	5,0	2	500
6911BB0126.0	26,0	M2,5	5,0	2	500
6911BB0127.0	27,0	M2,5	5,0	2	500
6911BB0128.0	28,0	M2,5	5,0	2	500
6911BB0129.0	29,0	M2,5	5,0	2	500
6911BB0130.0	30,0	M2,5	5,0	2	500
6911BB0131.0	31,0	M2,5	5,0	2	500
6911BB0132.0	32,0	M2,5	5,0	2	500
6911BB0133.0	33,0	M2,5	5,0	2	500
6911BB0134.0	34,0	M2,5	5,0	2	500
6911BB0135.0	35,0	M2,5	5,0	2	500

Code	L	M	SW	Type	MOQ-Pcs
6911BB0136.0	36,0	M2,5	5,0	2	500
6911BB0137.0	37,0	M2,5	5,0	2	500
6911BB0138.0	38,0	M2,5	5,0	2	500
6911BB0139.0	39,0	M2,5	5,0	2	500
6911BB0140.0	40,0	M2,5	5,0	2	500
6911BB0141.0	41,0	M2,5	5,0	2	500
6911BB0142.0	42,0	M2,5	5,0	2	500
6911BB0143.0	43,0	M2,5	5,0	2	500
6911BB0144.0	44,0	M2,5	5,0	2	500
6911BB0145.0	45,0	M2,5	5,0	2	500
6911BB0146.0	46,0	M2,5	5,0	2	500
6911BB0147.0	47,0	M2,5	5,0	2	500
6911BB0148.0	48,0	M2,5	5,0	2	500
6911BB0149.0	49,0	M2,5	5,0	2	500
6911BB0150.0	50,0	M2,5	5,0	2	500
6911BB0151.0	51,0	M2,5	5,0	2	500
6911BB0152.0	52,0	M2,5	5,0	2	500
6911BB0153.0	53,0	M2,5	5,0	2	500
6911BB0154.0	54,0	M2,5	5,0	2	500
6911BB0155.0	55,0	M2,5	5,0	2	500