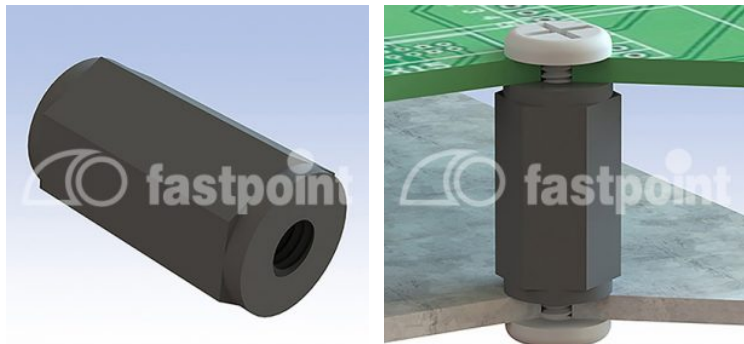


METRIC M2 F/F HEXAGONAL 5,0 SPACERS



Technical description

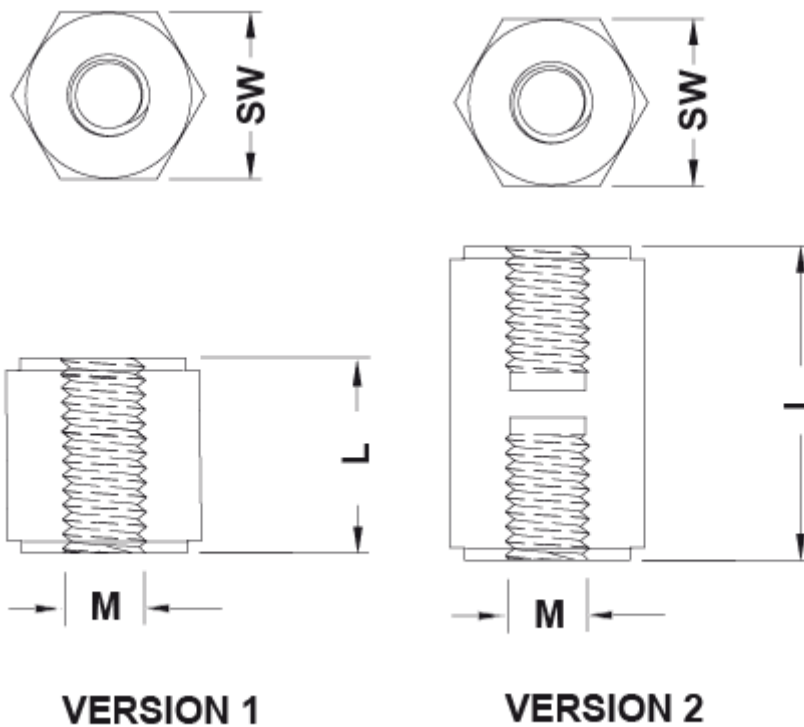
Material: PA 6 , 25%GV

Colour: Black

UL Flammability: HB (UL 94)

Operating temperature : -30°C ~ 110°C

All dimensions are in mm.



Code	L	M	SW	Type	MOQ-Pcs
6910BB0105.0	5,0	M2	5,0	1	500
6910BB0106.0	6,0	M2	5,0	1	500
6910BB0107.0	7,0	M2	5,0	1	500
6910BB0108.0	8,0	M2	5,0	1	500
6910BB0109.0	9,0	M2	5,0	1	500
6910BB0110.0	10,0	M2	5,0	1	500
6910BB0111.0	11,0	M2	5,0	1	500
6910BB0112.0	12,0	M2	5,0	1	500
6910BB0113.0	13,0	M2	5,0	1	500
6910BB0114.0	14,0	M2	5,0	1	500
6910BB0115.0	15,0	M2	5,0	2	500
6910BB0116.0	16,0	M2	5,0	2	500
6910BB0117.0	17,0	M2	5,0	2	500
6910BB0118.0	18,0	M2	5,0	2	500
6910BB0119.0	19,0	M2	5,0	2	500
6910BB0120.0	20,0	M2	5,0	2	500
6910BB0121.0	21,0	M2	5,0	2	500
6910BB0122.0	22,0	M2	5,0	2	500
6910BB0123.0	23,0	M2	5,0	2	500
6910BB0124.0	24,0	M2	5,0	2	500
6910BB0125.0	25,0	M2	5,0	2	500
6910BB0126.0	26,0	M2	5,0	2	500
6910BB0127.0	27,0	M2	5,0	2	500
6910BB0128.0	28,0	M2	5,0	2	500
6910BB0129.0	29,0	M2	5,0	2	500
6910BB0130.0	30,0	M2	5,0	2	500
6910BB0131.0	31,0	M2	5,0	2	500
6910BB0132.0	32,0	M2	5,0	2	500
6910BB0133.0	33,0	M2	5,0	2	500
6910BB0134.0	34,0	M2	5,0	2	500
6910BB0135.0	35,0	M2	5,0	2	500

Code	L	M	SW	Type	MOQ-Pcs
6910BB0136.0	36,0	M2	5,0	2	500
6910BB0137.0	37,0	M2	5,0	2	500
6910BB0138.0	38,0	M2	5,0	2	500
6910BB0139.0	39,0	M2	5,0	2	500
6910BB0140.0	40,0	M2	5,0	2	500
6910BB0141.0	41,0	M2	5,0	2	500
6910BB0142.0	42,0	M2	5,0	2	500
6910BB0143.0	43,0	M2	5,0	2	500
6910BB0144.0	44,0	M2	5,0	2	500
6910BB0145.0	45,0	M2	5,0	2	500