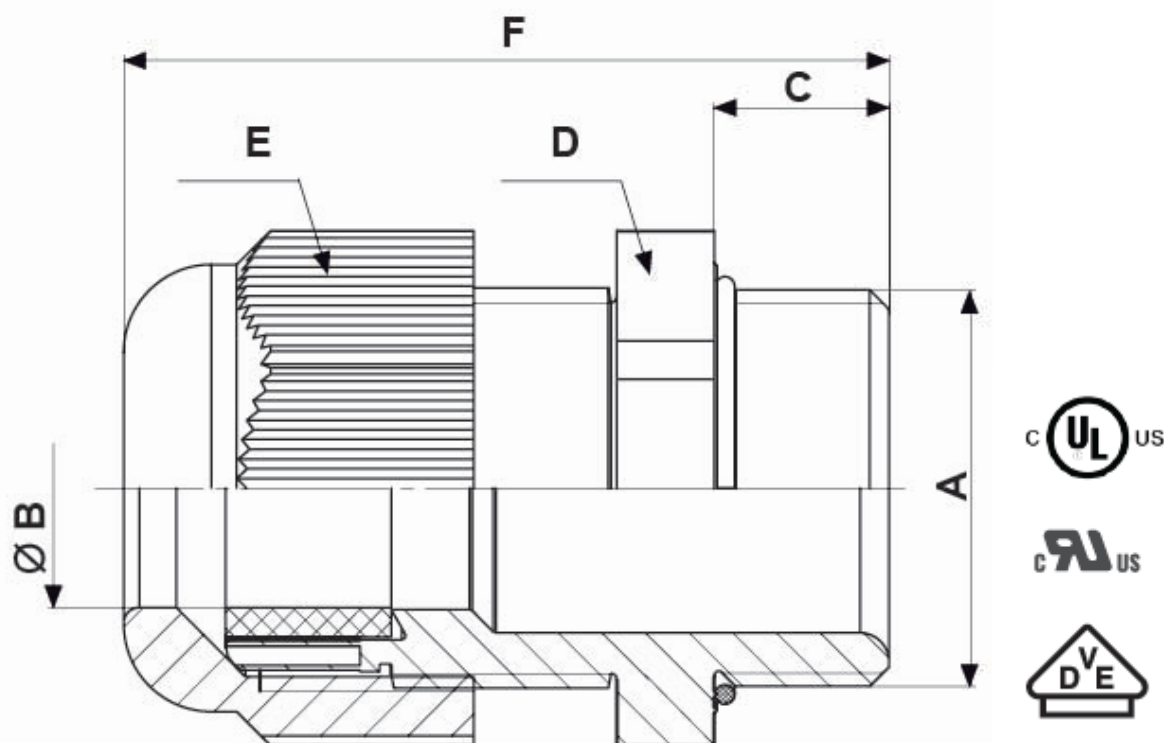


IP68 METRIC PITCH CABLE GLANDS



Technical description

Nut material: PA 6 Body material: PA 6 Seal ring material: CR/NBR Color: see table Self-extinguishing: -PA 6: V2(UL94) - CR/NBR: HB(UL94) Operating temperature: -20°C ~ +100°C Degree of protection: IP68 Metric according to EN 60423 All dimensions are in mm



Code	A	B	C	D	E	F	Colour	MOQ-Pcs
8584AA117001	M12x1,5	3 - 6	8,0	15,0	15,0	31,0	RAL 7001	100
8585AA117001	M16x1,5	5- 10	8,0	20,0	20,0	35,5	RAL 7001	100
8586AA117001	M20x1,5	8 - 13	8,0	24,0	24,0	36,0	RAL 7001	100
8587AA117001	M25x1,5	11 - 17	9,0	29,0	29,0	43,0	RAL 7001	50
8588AA117001	M32x1,5	15 - 21	10,0	36,0	36,0	50,0	RAL 7001	25
8589AA117001	M40x1,5	19 - 28	10,0	46,0	46,0	51,0	RAL 7001	10

Code	A	B	C	D	E	F	Colour	MOQ-Pcs
8590AA117001	M50x1,5	27 - 35	12,0	55,0	55,0	61,5	RAL 7001	5
8591AA117001	M63x1,5	32 - 42	12,0	68,0	68,0	65,5	RAL 7001	5
8592AA117035	M12x1,5	3 - 6	8,0	15,0	15,0	31,0	RAL 7035	100
8593AA117035	M16x1,5	5- 10	8,0	20,0	20,0	35,5	RAL 7035	100
8594AA117035	M20x1,5	8 - 13	8,0	24,0	24,0	36,0	RAL 7035	100
8595AA117035	M25x1,5	11 - 17	9,0	29,0	29,0	43,0	RAL 7035	50
8596AA117035	M32x1,5	15 - 21	10,0	36,0	36,0	50,0	RAL 7035	25
8597AA117035	M40x1,5	19 - 28	10,0	46,0	46,0	51,0	RAL 7035	10
8598AA117035	M50x1,5	27 - 35	12,0	55,0	55,0	61,5	RAL 7035	5
8599AA117035	M63x1,5	32 - 42	12,0	68,0	68,0	65,5	RAL 7035	5
8600AA019005	M12x1,5	3 - 6	8,0	15,0	15,0	31,0	RAL 9005	100
8601AA019005	M16x1,5	5- 10	8,0	20,0	20,0	35,5	RAL 9005	100
8602AA019005	M20x1,5	8 - 13	8,0	24,0	24,0	36,0	RAL 9005	100
8603AA019005	M25x1,5	11 - 17	9,0	29,0	29,0	43,0	RAL 9005	50
8604AA019005	M32x1,5	15 - 21	10,0	36,0	36,0	50,0	RAL 9005	25
8605AA019005	M40x1,5	19 - 28	10,0	46,0	46,0	51,0	RAL 9005	10
8606AA019005	M50x1,5	27 - 35	12,0	55,0	55,0	61,5	RAL 9005	5
8607AA019005	M63x1,5	32 - 42	12,0	68,0	68,0	65,5	RAL 9005	5