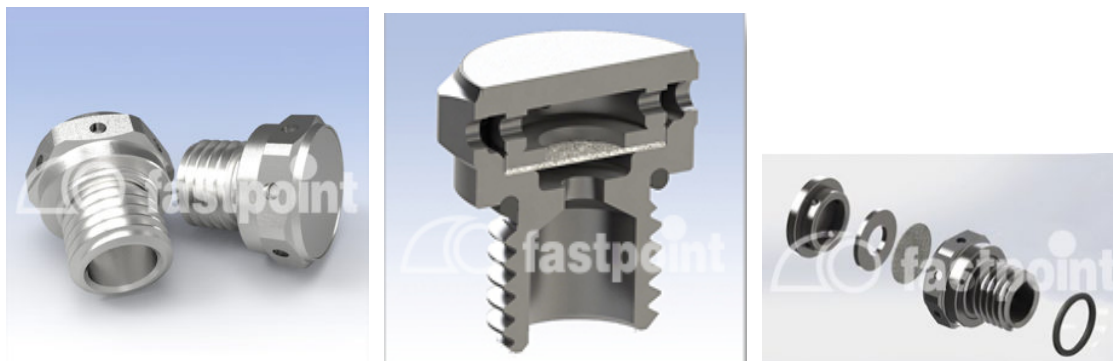


METAL VENTILATION PLUG M12 X 1,5



Technical description

Body material: Steel or Brass

Membrane material: Acriliyc co-polimer on PA support

Washer material: NBR-EPDM

Flammability: NBR-EPDM: HB(UL94)

Overall working temperature: -20°C ~ +100° C

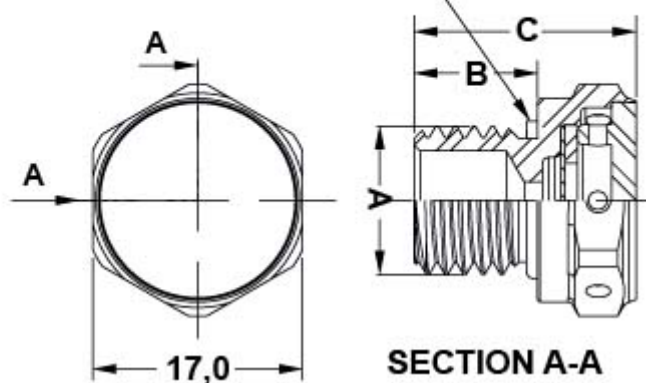
Protection grade IP68

Torque value: 1,0 - 1,5 Nm

Metric according EN 60423

Materials are specified below

RONDELLA INCLUSA E MONTATA
WASHER INCLUDED AND MOUNTED



Code	A	B	C	Mounting hole	Colour	Average Air Flow I/H	Water intrusion	MOQ-Pcs
7580MA92HL	M12X1,5	10,0	18,0	Ø 12,3	OTTONE NICHELATO	150,0	0,2 Bar	100
7580MA92SL	M12X1,5	10,0	18,0	Ø 12,3	OTTONE NICHELATO	16,0	0,9 Bar	100
7580MA92UHL	M12X1,5	10,0	18,0	Ø 12,3	OTTONE NICHELATO	300,0	0,1 Bar	100
7580MD90HL	M12X1,5	10,0	18,0	Ø 12,3	ACCIAIO INOX	150,0	0,2 Bar	100
7580MD90SL	M12X1,5	10,0	18,0	Ø 12,3	ACCIAIO INOX	16,0	0,9 Bar	100
7580MD90UHL	M12X1,5	10,0	18,0	Ø 12,3	ACCIAIO INOX	300,0	0,1 Bar	100