

LED SUPPORTS



Technical description

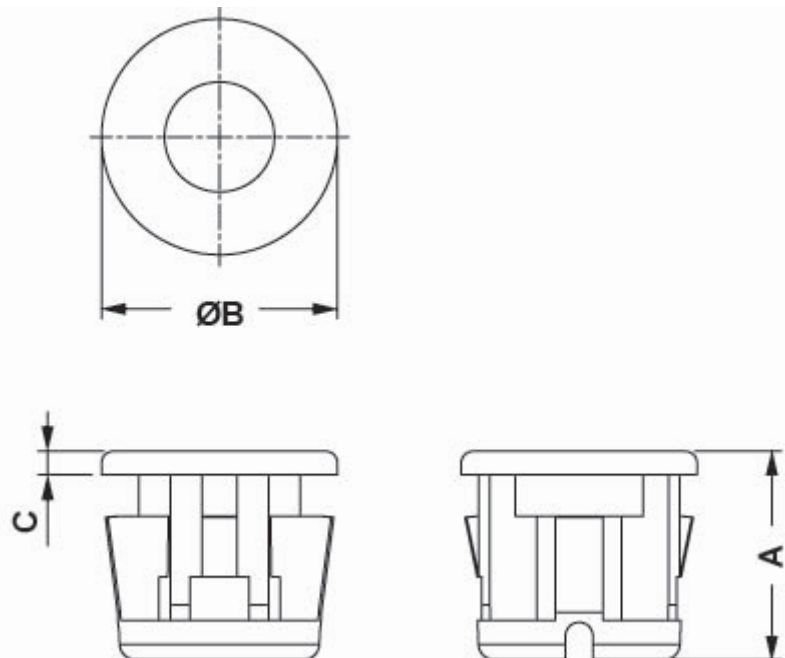
Material: PA 6.6

Colour: Black

Flammability: V2 (UL94)

Working temperature: -35°C ~ +85°C

All dimensions are in mm



Code	A	B	C	Mounting hole	Thickness	MOQ-Pcs
11507AA01	5,3	6,0	0,6	Ø 5,2	0,8 - 1,0	1.000