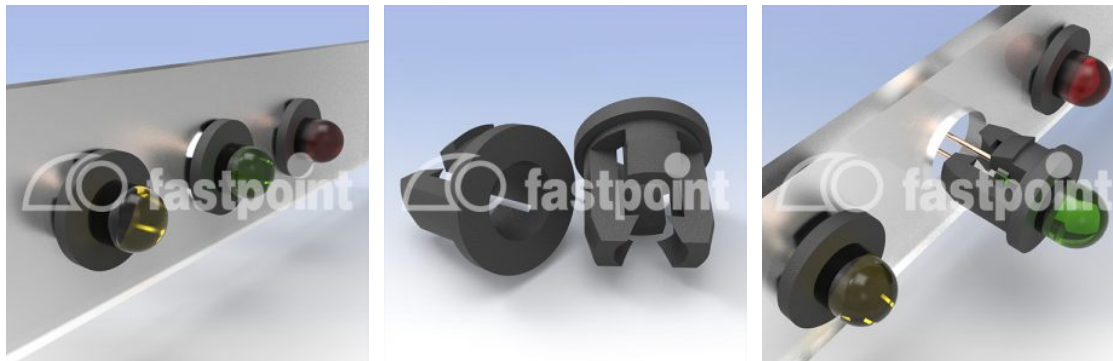


## LED SUPPORTS



### Technical description

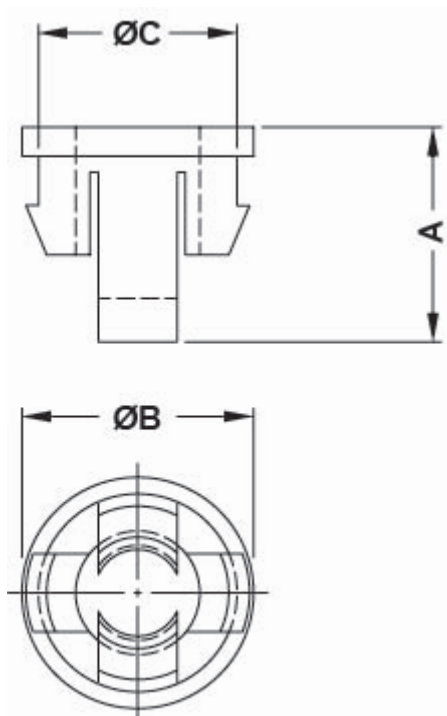
**Material:** PA 6.6

**Colour:** Black

**Flammability:** V2 (UL94)

**Working temperature:** -35°C ~ +85°C

All dimensions are in mm



Code	A	B	C	Mounting hole	Thickness	MOQ-Pcs
11503AA01	6,9	7,8	5,1	Ø 6,0	-	1.000
11505AA01	5,2	5,6	4,8	Ø 5,0	1,0 - 1,1	1.000