

## LED LIGHT PIPE



### Technical description

**Material:** PC

**Colour:** Clear

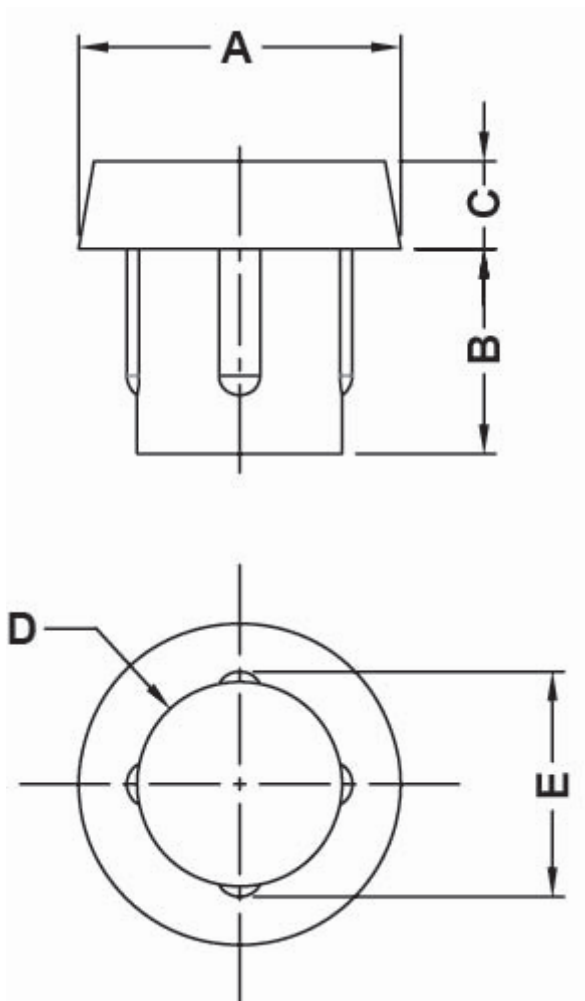
**Flammability:** See table

**Working temperature:**

V0 (UL94): -40°C ~ +115°C

V2 (UL94): -40°C ~ +80°C

All dimensions are in mm



Code	A	B	C	D	E	Mounting hole	Flammability	MOQ-Pcs
14028NV00	Ø 5,5	3,0	1,5	Ø 3,5	3,8	Ø 3,5	V0 (UL94)	2.000
14491NV00								
14029NA00	Ø 5,5	4,0	1,5	Ø 3,5	3,8	Ø 3,5	V2 (UL94)	2.000