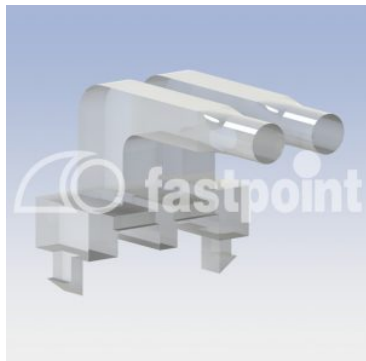


LED LIGHT PIPE



Technical description

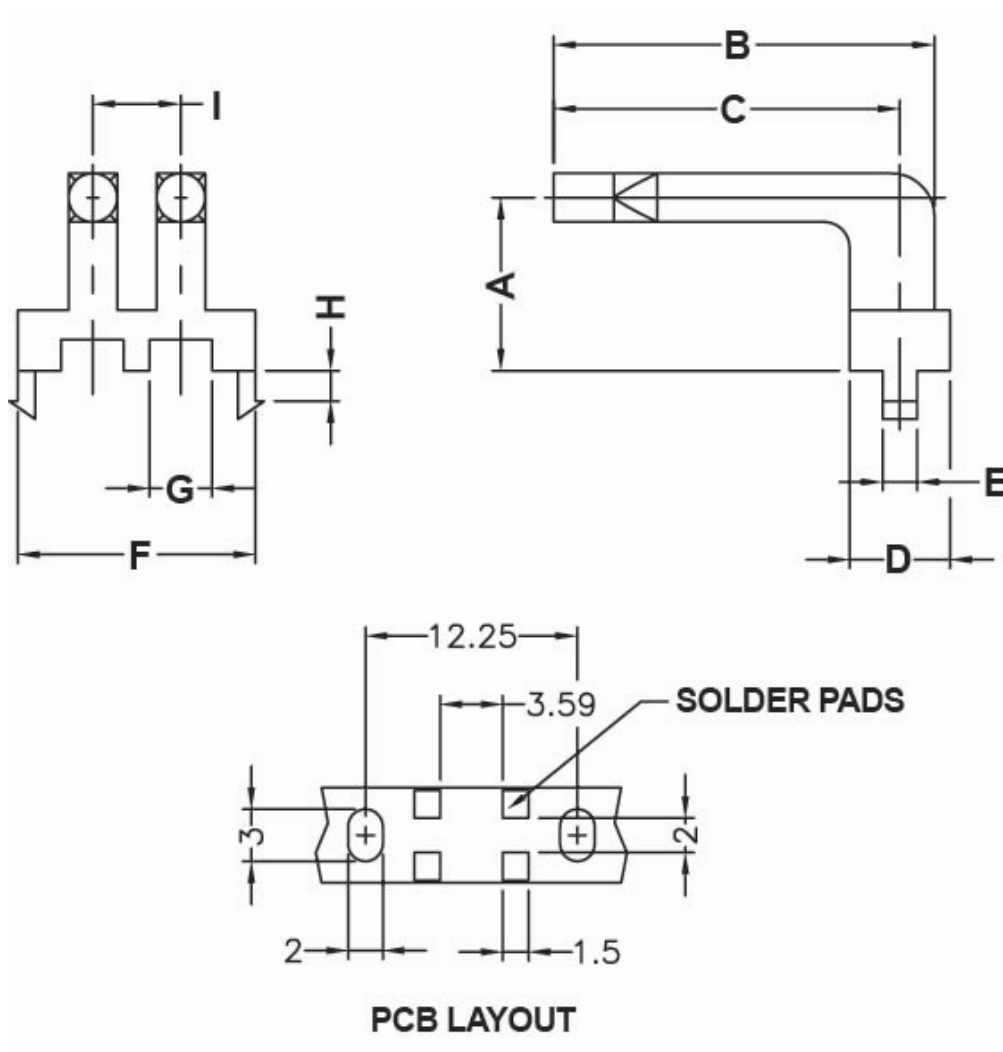
Material: PC

Colour: Clear

Flammability: V2 (UL94)

Working temperature: -40°C ~ +80°C

All dimensions are in mm



PCB LAYOUT

Code	A	B	C	D	E	F	G	H	I	MOQ-Pcs
14060NA00	5,0	16,0	14,0	5,8	2,0	13,7	3,6	1,7	5,0	1.000
14061NA00	5,0	19,0	17,0	5,8	2,0	13,7	3,6	1,7	5,0	1.000
14062NA00	5,0	22,0	20,0	5,8	2,0	13,7	3,6	1,7	5,0	1.000
14063NA00	10,0	16,0	14,0	5,8	2,0	13,7	3,6	1,7	5,0	1.000
14064NA00	10,0	19,0	17,0	5,8	2,0	13,7	3,6	1,7	5,0	1.000
14065NA00	10,0	22,0	20,0	5,8	2,0	13,7	3,6	1,7	5,0	1.000
14066NA00	15,0	16,0	14,0	5,8	2,0	13,7	3,6	1,7	5,0	1.000
14067NA00	15,0	19,0	17,0	5,8	2,0	13,7	3,6	1,7	5,0	1.000
14068NA00	15,0	22,0	20,0	5,8	2,0	13,7	3,6	1,7	5,0	1.000