

INSULATOR SPACER M/F M3 E M4 POLYSTIROL/STEEL



Technical description

Material: Polystyrol

Thread insert: Steel zinc plated

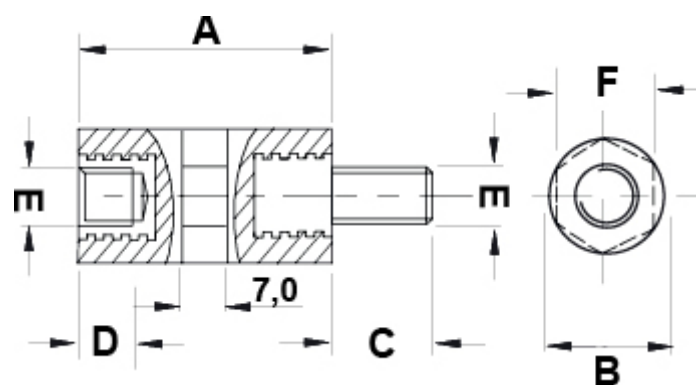
Colour: grey

UL flammability: HB (UL 94)

Working temperature: -15°C ~ + 90°C

Dielectric strength: 50kV

All dimension are in mm.



Code	A	B	C	D	E	F	Type	MOQ-Pcs
10481DA1115.0	15,0	7,0	7,0	7,0	M3	6,0	1	100
10481DA1120.0	20,0	7,0	7,0	7,0	M3	6,0	1	100
10481DA1125.0	25,0	7,0	7,0	7,0	M3	6,0	1	100
10481DA1130.0	30,0	7,0	7,0	7,0	M3	6,0	1	100
10481DA1140.0	40,0	7,0	7,0	7,0	M3	6,0	1	100
10484DA1115.0	15,0	10,0	7,0	7,0	M4	9,0	1	100

Code	A	B	C	D	E	F	Type	MOQ-Pcs
10484DA1120.0	20,0	10,0	7,0	7,0	M4	9,0	1	100
10484DA1125.0	25,0	10,0	7,0	7,0	M4	9,0	1	100
10484DA1130.0	30,0	10,0	7,0	7,0	M4	9,0	1	100
10484DA1140.0	40,0	10,0	7,0	7,0	M4	9,0	1	100
10484DA1145.0	45,0	10,0	7,0	7,0	M4	9,0	1	100
10484DA1150.0	50,0	10,0	7,0	7,0	M4	9,0	1	100