

GROMMET STRIPS WITH DOUBLE BRUSH



Technical description

Material:

- Frame: PC

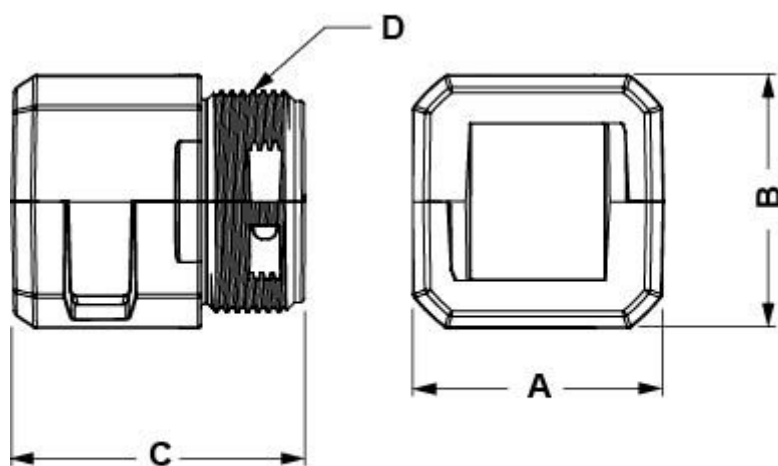
- Brush: PA

Colour: Black

Flammability: V0 (UL94)

Working temperature: -40°C ~ +155°C

All dimensions are in mm



Code	A	B	C	D	Mounting hole	MOQ-Pcs
17450NA01	36,2	36,4	42,0	M32 x 1,5	Ø 32,5	10
17541NA01	61,5	57,0	42,8	M50 x 1,5	Ø 50,5	10