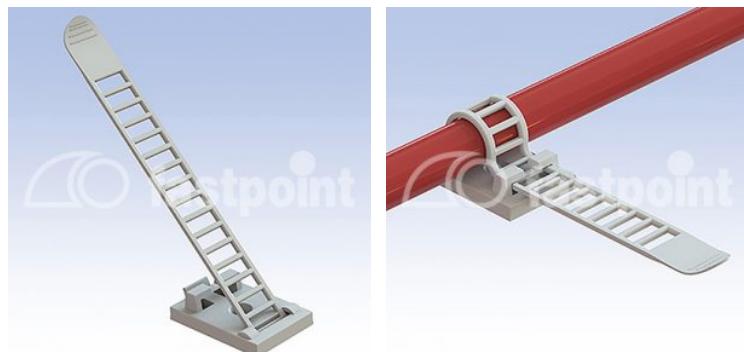


## FLAT CABLE SELF-ADHESIVE CLIP



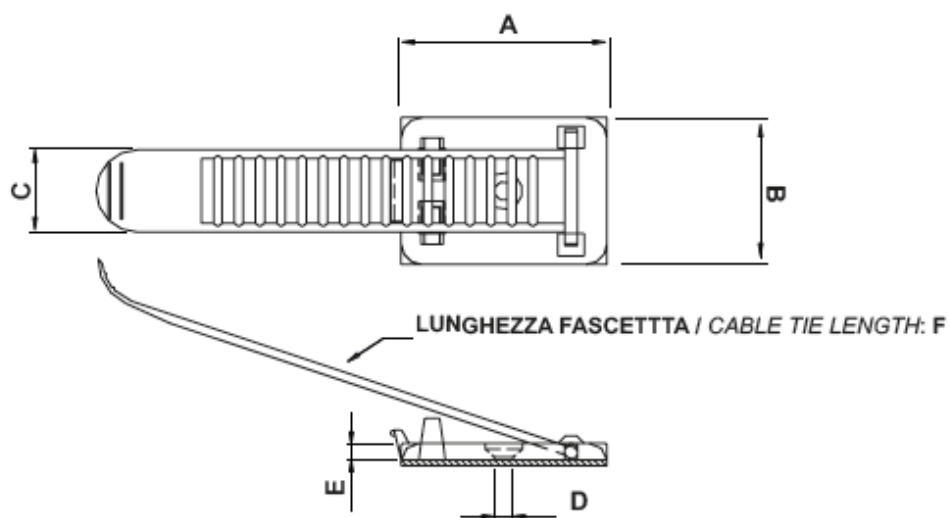
### Technical description

**Material:** PA 6.6 **Colour:** Natural

**UL Flammability:** V2 (UL 94)

**Operating temperature:** -acrylic adhesive: -25°C ~ +80°C

All dimensions are in mm.



Code	A	B	C	D	E	F	MOQ-Pcs
6061AA00AS	30,2	21,0	12,0	3,5	2,5	91,0	100
6519AA00AS	25,4	18,1	8,0	3,5	2,5	64,2	200
6520AA00AS	25,4	18,1	8,0	3,5	2,5	85,0	200
6521AA00AS	35,0	25,0	14,0	3,2	2,8	88,3	200
6522AA00AS	35,0	25,0	14,0	3,2	2,8	127,0	100
6523AA00AS	30,0	21,0	12,0	3,7	2,5	117,0	100