

FLANGE MODULARI IP65 - PRECONFIGURATE



Technical description

Material: TPE - SEBS 50 Sha

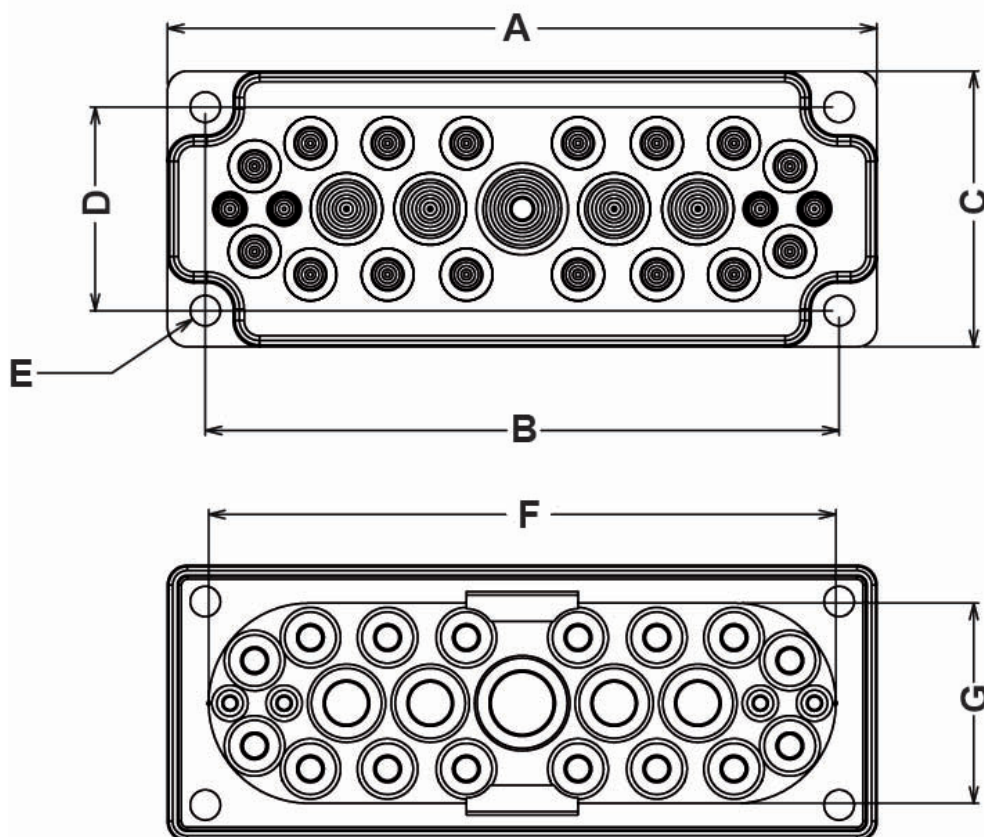
Protection grade: IP65

Colour: Grey RAL 7035

Operating temperature:

-40°C ~ +130°C

All dimensions are in mm



Code	A	B	C	D	E	F	G	MOQ-Pcs
12101PF117035	216,0	193,0	84,0	62,0	Ø 9,2	191,0	61,0	50