

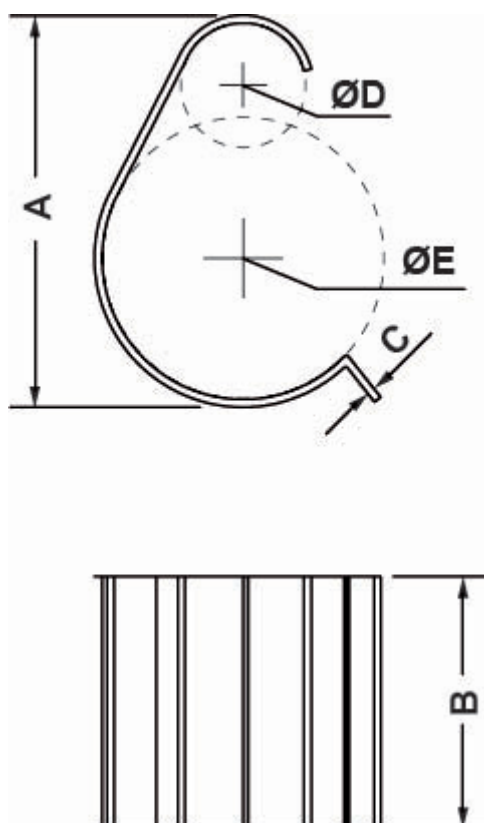
## SPRINGS FOR PIPES



### Technical description

**Material:** Spring steel

All dimensions are in mm.



Code	A	B	C	D	E	MOQ-Pcs
12428MC94	27,0	15,0	0,5	6,0 - 8,0	20,0	5.000
12429MC94	23,2	16,0	0,5	8,0	18,0	5.000