

FEET WITH FAST FIXING



Technical description

Material foot: TPE

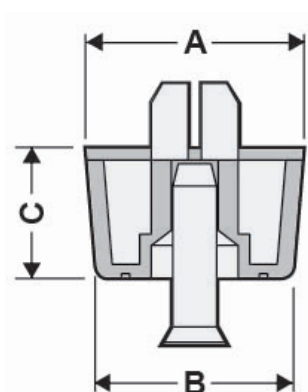
Material pin: PP

Colour: Black

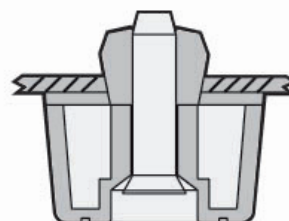
Flammability: HB (UL 94)

Operating temperature: -35°C ~ +90°C

All dimensions are in mm.



PRIMA DELL' INSERIMENTO
BEFORE INSERTION



DOPO L' INSERIMENTO
AFTER INSERTION

Code	A	B	C	Mounting hole	Thickness	MOQ-Pcs
9813EA01	20,0	18,0	10,0	Ø 7,7 - 7,8	0,8 - 1,5	500
9814EA01	20,0	18,0	5,0	Ø 7,7 - 7,8	0,8 - 1,6	200
9815EA01	21,0	20,0	6,0	Ø 7,7 - 7,8	5,0 - 8,0	200
9816EA01	25,0	23,0	5,0	Ø 7,7 - 7,8	0,8 - 1,5	200
9823EA01	20,0	18,0	15,0	Ø 7,7 - 7,8	0,8 - 1,5	200
9824EA01	19,5	18,0	8,0	Ø 6,1	0,8 - 2,0	500