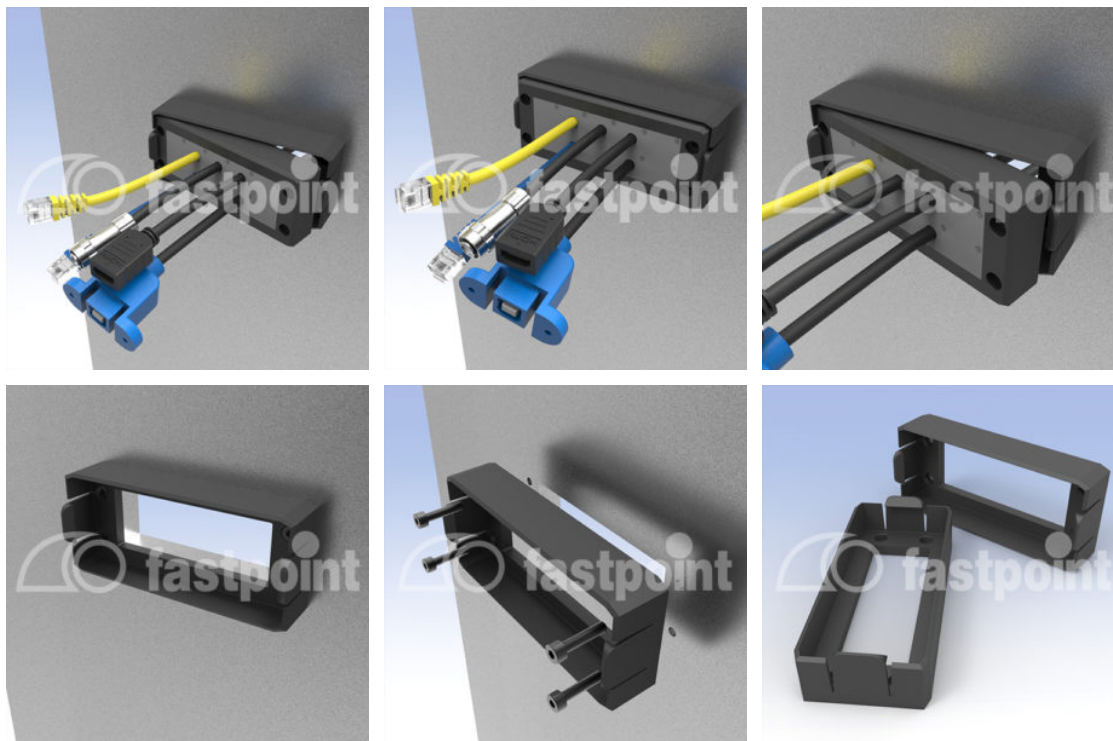
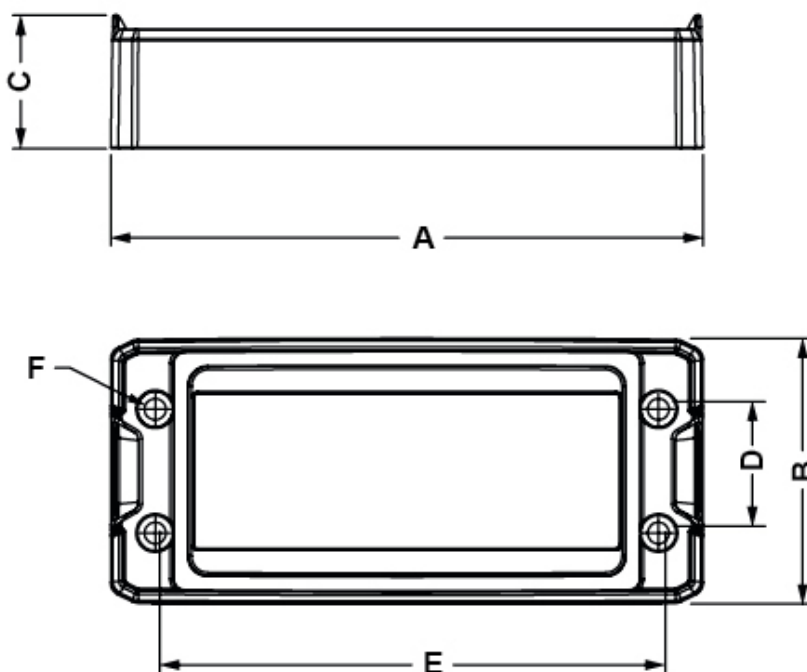


FAST FIXING SOLUTION FOR SPLITTABLE FRAMES



Technical description



Code	A	B	C	D	E	F	Mounting hole	MOQ-Pcs
16010FG01	81,1	68,7	34,5	32,0	58,0	Ø5,5	40,0 x 39,0	10
16011FG01	106,1	68,7	34,5	32,0	83,0	Ø5,5	63,0 x 39,0	10
16012FG01	127,1	68,7	34,5	32,0	103,0	Ø5,5	86,0 x 39,0	10
16013FG01	153,1	68,7	34,5	32,1	130,5	Ø5,5	108,0 x 39,0	10