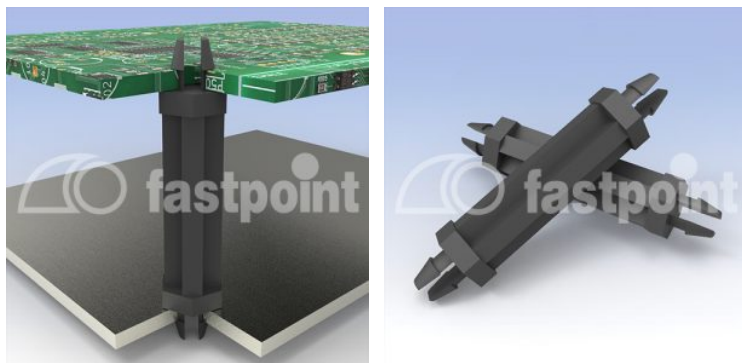
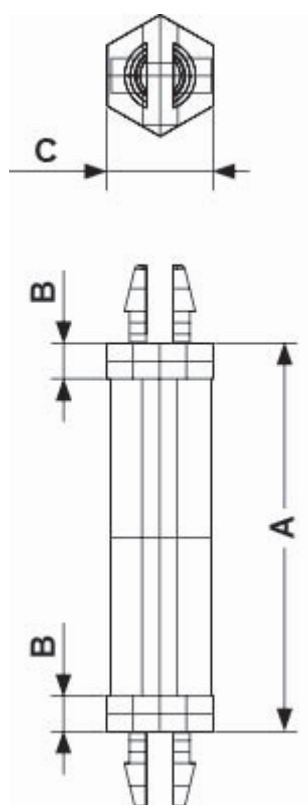


DUAL LOCKING P.C.B SPACERS Ø4,0 / Ø4,0



Technical description

Material: PA 6.6 **Colour:** Black **Flammability:** V2 (UL94) **Working temperature:** -35°C ~ +85°C All dimensions are in mm



| Code | A | B | C | Top Hole | Top thickness | Bottom hole | Bottom thickness | MOQ-Pcs |
|----------------|-----|-----|-----|----------|---------------|-------------|------------------|---------|
| 12914AA0103.00 | 3,0 | 2,0 | 6,0 | Ø 4,0 | 2,0 | Ø 4,0 | 2,0 | 500 |
| 12914AA0104.00 | 4,0 | 2,0 | 6,0 | Ø 4,0 | 2,0 | Ø 4,0 | 2,0 | 500 |
| 12914AA0105.00 | 5,0 | 2,0 | 6,0 | Ø 4,0 | 2,0 | Ø 4,0 | 2,0 | 500 |
| 12914AA0106.00 | 6,0 | 2,0 | 6,0 | Ø 4,0 | 2,0 | Ø 4,0 | 2,0 | 500 |
| 12914AA0107.00 | 7,0 | 2,0 | 6,0 | Ø 4,0 | 2,0 | Ø 4,0 | 2,0 | 500 |

| Code | A | B | C | Top Hole | Top thickness | Bottom hole | Bottom thickness | MOQ-Pcs |
|----------------|------|-----|-----|----------|---------------|-------------|------------------|---------|
| 12914AA0108.00 | 8,0 | 2,0 | 6,0 | Ø 4,0 | 2,0 | Ø 4,0 | 2,0 | 500 |
| 12914AA0109.00 | 9,0 | 2,0 | 6,0 | Ø 4,0 | 2,0 | Ø 4,0 | 2,0 | 500 |
| 12914AA0110.00 | 10,0 | 2,0 | 6,0 | Ø 4,0 | 2,0 | Ø 4,0 | 2,0 | 500 |
| 12914AA0111.00 | 11,0 | 2,0 | 6,0 | Ø 4,0 | 2,0 | Ø 4,0 | 2,0 | 500 |
| 12914AA0112.00 | 12,0 | 2,0 | 6,0 | Ø 4,0 | 2,0 | Ø 4,0 | 2,0 | 500 |
| 12914AA0113.00 | 13,0 | 2,0 | 6,0 | Ø 4,0 | 2,0 | Ø 4,0 | 2,0 | 500 |
| 12914AA0114.00 | 14,0 | 2,0 | 6,0 | Ø 4,0 | 2,0 | Ø 4,0 | 2,0 | 500 |
| 12914AA0115.00 | 15,0 | 2,0 | 6,0 | Ø 4,0 | 2,0 | Ø 4,0 | 2,0 | 500 |
| 12914AA0116.00 | 16,0 | 2,0 | 6,0 | Ø 4,0 | 2,0 | Ø 4,0 | 2,0 | 500 |
| 12914AA0117.00 | 17,0 | 2,0 | 6,0 | Ø 4,0 | 2,0 | Ø 4,0 | 2,0 | 500 |
| 12914AA0118.00 | 18,0 | 2,0 | 6,0 | Ø 4,0 | 2,0 | Ø 4,0 | 2,0 | 500 |
| 12914AA0119.00 | 19,0 | 2,0 | 6,0 | Ø 4,0 | 2,0 | Ø 4,0 | 2,0 | 500 |
| 12914AA0120.00 | 20,0 | 2,0 | 6,0 | Ø 4,0 | 2,0 | Ø 4,0 | 2,0 | 500 |
| 12914AA0121.00 | 21,0 | 2,0 | 6,0 | Ø 4,0 | 2,0 | Ø 4,0 | 2,0 | 500 |
| 12914AA0122.00 | 22,0 | 2,0 | 6,0 | Ø 4,0 | 2,0 | Ø 4,0 | 2,0 | 500 |
| 12914AA0123.00 | 23,0 | 2,0 | 6,0 | Ø 4,0 | 2,0 | Ø 4,0 | 2,0 | 500 |
| 12914AA0124.00 | 24,0 | 2,0 | 6,0 | Ø 4,0 | 2,0 | Ø 4,0 | 2,0 | 500 |
| 12914AA0125.00 | 25,0 | 2,0 | 6,0 | Ø 4,0 | 2,0 | Ø 4,0 | 2,0 | 500 |
| 12914AA0126.00 | 26,0 | 2,0 | 6,0 | Ø 4,0 | 2,0 | Ø 4,0 | 2,0 | 500 |
| 12914AA0127.00 | 27,0 | 2,0 | 6,0 | Ø 4,0 | 2,0 | Ø 4,0 | 2,0 | 500 |
| 12914AA0128.00 | 28,0 | 2,0 | 6,0 | Ø 4,0 | 2,0 | Ø 4,0 | 2,0 | 500 |
| 12914AA0129.00 | 29,0 | 2,0 | 6,0 | Ø 4,0 | 2,0 | Ø 4,0 | 2,0 | 500 |
| 12914AA0130.00 | 30,0 | 2,0 | 6,0 | Ø 4,0 | 2,0 | Ø 4,0 | 2,0 | 500 |
| 12914AA0131.00 | 31,0 | 2,0 | 6,0 | Ø 4,0 | 2,0 | Ø 4,0 | 2,0 | 500 |
| 12914AA0132.00 | 32,0 | 2,0 | 6,0 | Ø 4,0 | 2,0 | Ø 4,0 | 2,0 | 500 |
| 12914AA0133.00 | 33,0 | 2,0 | 6,0 | Ø 4,0 | 2,0 | Ø 4,0 | 2,0 | 500 |
| 12914AA0134.00 | 34,0 | 2,0 | 6,0 | Ø 4,0 | 2,0 | Ø 4,0 | 2,0 | 500 |
| 12914AA0135.00 | 35,0 | 2,0 | 6,0 | Ø 4,0 | 2,0 | Ø 4,0 | 2,0 | 500 |
| 12914AA0136.00 | 36,0 | 2,0 | 6,0 | Ø 4,0 | 2,0 | Ø 4,0 | 2,0 | 500 |
| 12914AA0137.00 | 37,0 | 2,0 | 6,0 | Ø 4,0 | 2,0 | Ø 4,0 | 2,0 | 500 |
| 12914AA0138.00 | 38,0 | 2,0 | 6,0 | Ø 4,0 | 2,0 | Ø 4,0 | 2,0 | 500 |

| Code | A | B | C | Top Hole | Top thickness | Bottom hole | Bottom thickness | MOQ-Pcs |
|----------------|------|-----|-----|----------|---------------|-------------|------------------|---------|
| 12914AA0139.00 | 39,0 | 2,0 | 6,0 | Ø 4,0 | 2,0 | Ø 4,0 | 2,0 | 500 |
| 12914AA0140.00 | 40,0 | 2,0 | 6,0 | Ø 4,0 | 2,0 | Ø 4,0 | 2,0 | 500 |
| 12914AA0141.00 | 41,0 | 2,0 | 6,0 | Ø 4,0 | 2,0 | Ø 4,0 | 2,0 | 500 |
| 12914AA0142.00 | 42,0 | 2,0 | 6,0 | Ø 4,0 | 2,0 | Ø 4,0 | 2,0 | 500 |
| 12914AA0143.00 | 43,0 | 2,0 | 6,0 | Ø 4,0 | 2,0 | Ø 4,0 | 2,0 | 500 |
| 12914AA0144.00 | 44,0 | 2,0 | 6,0 | Ø 4,0 | 2,0 | Ø 4,0 | 2,0 | 500 |
| 12914AA0145.00 | 45,0 | 2,0 | 6,0 | Ø 4,0 | 2,0 | Ø 4,0 | 2,0 | 500 |
| 12914AA0146.00 | 46,0 | 2,0 | 6,0 | Ø 4,0 | 2,0 | Ø 4,0 | 2,0 | 500 |
| 12914AA0147.00 | 47,0 | 2,0 | 6,0 | Ø 4,0 | 2,0 | Ø 4,0 | 2,0 | 500 |
| 12914AA0148.00 | 48,0 | 2,0 | 6,0 | Ø 4,0 | 2,0 | Ø 4,0 | 2,0 | 500 |
| 12914AA0149.00 | 49,0 | 2,0 | 6,0 | Ø 4,0 | 2,0 | Ø 4,0 | 2,0 | 500 |
| 12914AA0150.00 | 50,0 | 2,0 | 6,0 | Ø 4,0 | 2,0 | Ø 4,0 | 2,0 | 500 |
| 12914AA0151.00 | 51,0 | 2,0 | 6,0 | Ø 4,0 | 2,0 | Ø 4,0 | 2,0 | 500 |
| 12914AA0152.00 | 52,0 | 2,0 | 6,0 | Ø 4,0 | 2,0 | Ø 4,0 | 2,0 | 500 |
| 12914AA0153.00 | 53,0 | 2,0 | 6,0 | Ø 4,0 | 2,0 | Ø 4,0 | 2,0 | 500 |
| 12914AA0154.00 | 54,0 | 2,0 | 6,0 | Ø 4,0 | 2,0 | Ø 4,0 | 2,0 | 500 |
| 12914AA0155.00 | 55,0 | 2,0 | 6,0 | Ø 4,0 | 2,0 | Ø 4,0 | 2,0 | 500 |
| 12914AA0156.00 | 56,0 | 2,0 | 6,0 | Ø 4,0 | 2,0 | Ø 4,0 | 2,0 | 500 |
| 12914AA0157.00 | 57,0 | 2,0 | 6,0 | Ø 4,0 | 2,0 | Ø 4,0 | 2,0 | 500 |
| 12914AA0158.00 | 58,0 | 2,0 | 6,0 | Ø 4,0 | 2,0 | Ø 4,0 | 2,0 | 500 |
| 12914AA0159.00 | 59,0 | 2,0 | 6,0 | Ø 4,0 | 2,0 | Ø 4,0 | 2,0 | 500 |
| 12914AA0160.00 | 60,0 | 2,0 | 6,0 | Ø 4,0 | 2,0 | Ø 4,0 | 2,0 | 500 |
| 12914AA0161.00 | 61,0 | 2,0 | 6,0 | Ø 4,0 | 2,0 | Ø 4,0 | 2,0 | 500 |
| 12914AA0162.00 | 62,0 | 2,0 | 6,0 | Ø 4,0 | 2,0 | Ø 4,0 | 2,0 | 500 |
| 12914AA0163.00 | 63,0 | 2,0 | 6,0 | Ø 4,0 | 2,0 | Ø 4,0 | 2,0 | 500 |
| 12914AA0164.00 | 64,0 | 2,0 | 6,0 | Ø 4,0 | 2,0 | Ø 4,0 | 2,0 | 500 |
| 12914AA0165.00 | 65,0 | 2,0 | 6,0 | Ø 4,0 | 2,0 | Ø 4,0 | 2,0 | 500 |